



PARTS CATALOGUE

Cross Connect

PW70CNL (X1MA) USA

PW70CNM (X1MB) USA

PW70CNS (X1MC) USA

PW70CNL
PW70CNM/PW70CNS
PARTS CATALOGUE
©2018 by Yamaha Motor Co., Ltd.
1st edition, June 2018
All rights reserved.
Any reprinting or unauthorized use
without the written permission of
Yamaha Motor Co., Ltd.
is expressly prohibited.
Printed in Japan.

FOREWORD

This Parts Catalogue is related to the parts for the model(s) on the cover page. When you are ordering replacement parts, please refer to this Parts Catalogue and quote both part numbers and part names correctly.

1. Modifications or additions which have been made after the issue of the Parts Catalogue will be announced in the Parts News.
It is advisable that you make the necessary corrections to the Parts Catalogue according to the Parts News.

2. Abbreviations

The following abbreviations are used in this Parts Catalogue.

“UR” Use specified parts number.

“UN” Use as many as needed.

“AP” Alternate Parts

“LM” Locally Made (Parts need to be ordered locally)

“F#” Frame No. (Applicable machine No.)

“O/S” Over Size

3. The number of components for assembly

- Parts, which are to be supplied in an assembly, are listed with a dot (.) in front of the part name as shown below.
- The numeral appearing to the right of each component part indicates the quantity of parts for each assembly unit.

PART NO.	DESCRIPTION	Q'TY	REMARKS
2F5-83310-60	FRONT FLASHER LIGHT ASSY	2	
115-83311-60	.BULB (6V-18W)	1	

4. Applicable colours of graphics are represented in the “REMARKS” as shown below.

PART NO.	DESCRIPTION	Q'TY	REMARKS
2N4-24110-00-X5	FUEL TANK COMP.	2	MXR
3J1-24240-10	.GRAPHIC, FUEL TANK	1	FOR MXR

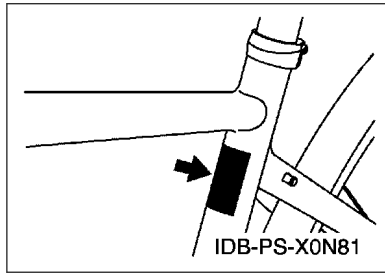
5. Note that the illustrations for reference in finding parts numbers are not to be used for assembling. When assembling, please use the applicable service manual.

6. The asterisk (*) before a reference number indicates modified items after the first edition.

FOREWORD

7. Applicable Serial No.

Frame Serial No.



8. Applicable Colour Code (The (*) mark shows Model colour.)

Abbreviation	Colour Name	Colour Code
BN2(*)	BLUISH GRAY 2	1718
LBNP1(*)	LIGHT BLUISH GRAY PEARL 1	1638

9. Applicable Starting Serial No.

Engine Serial No.

Serial No.	Name Of Q'ty Column	Model Code
X1MA-0001001	X1MA	X1MA
X1MB-0001001	X1MB	X1MB
X1MC-0001001	X1MC	X1MC

CONTENTS

POWER UNIT.....	1
FRAME.....	2
FENDER.....	4
SIDE COVER.....	5
SEAT & CARRIER.....	6
FRONT WHEEL.....	7
REAR WHEEL.....	8
STEERING HANDLE & CABLE.....	9
ELECTRICAL 1.....	10
ELECTRICAL 2.....	11

INDEX

NUMERICAL INDEX.....	12
----------------------	----

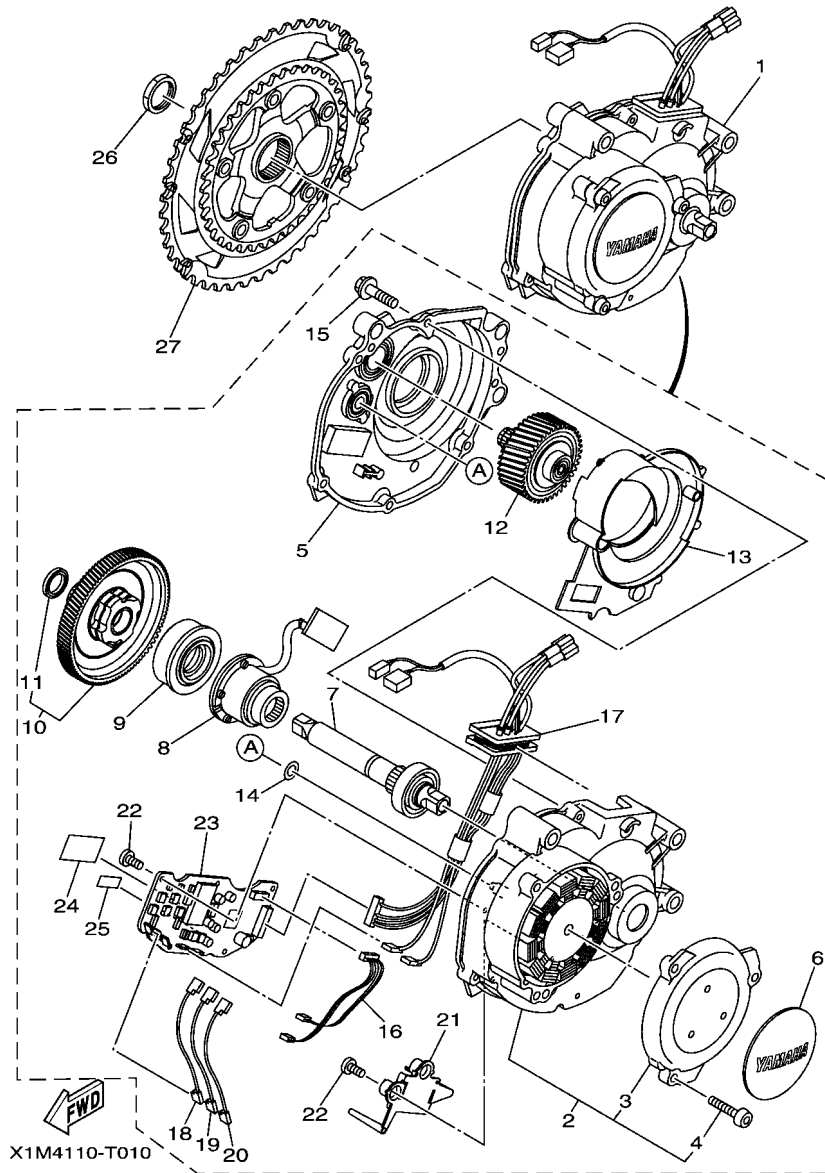


FIG. 1 POWER UNIT

REF. NO.	PART NO.	DESCRIPTION	X1MA	X1MB	X1MC	REMARKS
1	X1M-17061-A1	DRIVE UNIT ASSY	1	1	1	
2	X94-81890-02	.MOTOR ASSY	1	1	1	
3	X94-87153-01	..COVER, STATOR	1	1	1	
4	92017-05020	..BOLT, BUTTON HEAD	3	3	3	
5	X94-17510-00	..HOUSING COMP.	1	1	1	
6	X94-15490-10	..COVER ASSY	1	1	1	
7	X0S-17421-10	..AXLE, DRIVE	1	1	1	
8	X0S-17062-01	..TORQUE SENSOR ASSY	1	1	1	
9	X94-16180-10	..ONE WAY BOSS COMP.	1	1	1	
10	X94-16570-01	..CLUTCH BOSS ASSY	1	1	1	
11	93106-17001	..OIL SEAL	1	1	1	
12	X87-17840-00	..DRIVEN GEAR ASSY	1	1	1	
13	X94-13327-00	..COVER, GEAR	1	1	1	
14	90201-083J8	..WASHER, PLATE	1	1	1	
15	90105-05029	..BOLT, FLANGE	6	6	6	
16	X0S-86171-00	..WIRE, LEAD 1	1	1	1	
17	X1M-86172-40	..WIRE, LEAD 2	1	1	1	
18	X94-86173-00	..WIRE, LEAD 3	1	1	1	
19	X94-86174-00	..WIRE, LEAD 4	1	1	1	
20	X94-86175-00	..WIRE, LEAD 5	1	1	1	
21	X94-17524-00	..HOLDER	1	1	1	
22	90164-03009	..SCREW, TAPPING	7	7	7	
23	X1M-86212-A0	..CONTROLLER ASSY	1	1	1	
24	X94-8A8B0-10	..SHEET	1	1	1	
25	X94-8A8B1-10	..SHEET 1	1	1	1	
26	X94-17463-10	NUT, LOCK	1	1	1	BLACK
27	X0N-E7452-10	SPROCKET, DRIVE	1	1	1	46X36T

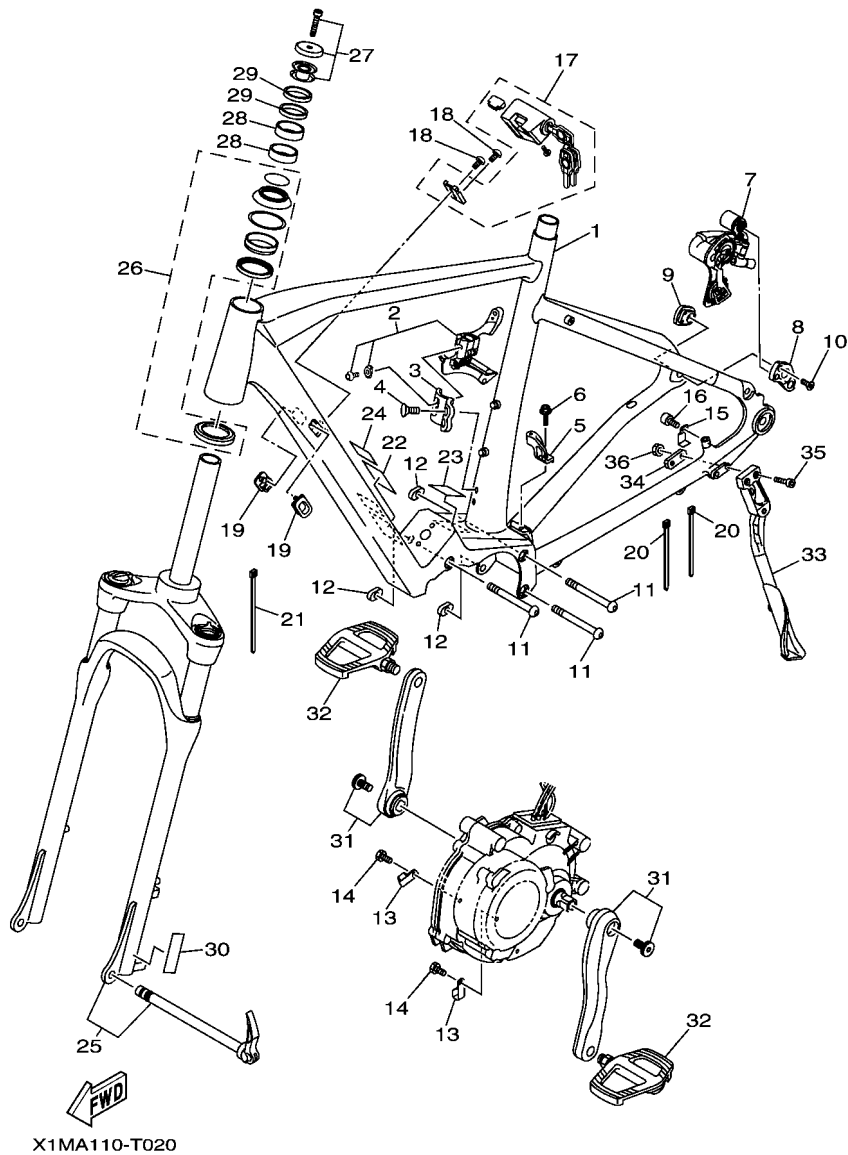
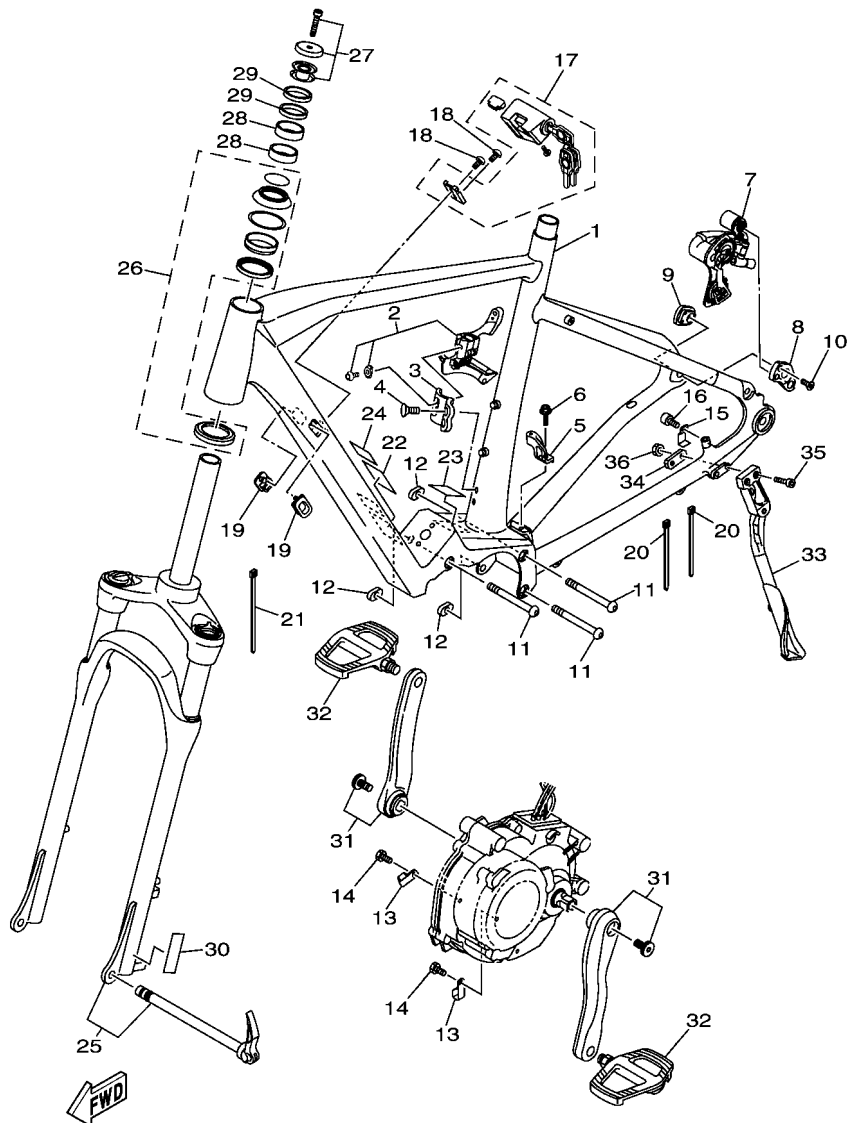


FIG. 2 FRAME

REF. NO.	PART NO.	DESCRIPTION	X1MA	X1MB	X1MC	REMARKS
1	X1M-F1110-60-P0	FRAME COMP.	1			FOR BN2
	X1M-F1110-60-P1	FRAME COMP.	1			FOR LBNP1
	X1M-F1110-70-P0	FRAME COMP.		1		FOR BN2
	X1M-F1110-70-P1	FRAME COMP.		1		FOR LBNP1
	X1M-F1110-80-P0	FRAME COMP.			1	FOR BN2
	X1M-F1110-80-P1	FRAME COMP.			1	FOR LBNP1
2	X0N-F515B-10	FRONT DERAILLER	1	1	1	
3	X1M-F114C-00	BRACKET DERAILLER, FRONT	1	1	1	
4	X0N-F11C5-00	SCREW 1	2	2	2	
5	X1M-F1161-10	HOLDER, CABLE	1	1	1	
6	X1M-F11C5-00	SCREW 1	1	1	1	
7	X0N-F535B-10	REAR DERAILLER	1	1	1	SORA RDR-3000
8	X1M-F114D-10	BRACKET DERAILLER, REAR	1	1	1	
9	X1M-F112K-00	BRACKET 5	1	1	1	
10	X1M-F11C6-00	SCREW 2	2	2	2	
11	X0N-F2125-10	BOLT	3	3	3	
12	X0N-F3393-00	NUT, SPECIAL	3	3	3	
13	X1M-F1339-00	GUIDE, WIRE	2	2	2	
14	X1M-F11D3-00	SCREW 6	2	2	2	
15	X1M-F256L-00	BRACKET	1	1	1	
16	X1M-F11C7-00	SCREW 3	1	1	1	
17	X1M-H256A-00	LOCK COMP.	1	1	1	
18	X1M-F11C8-00	SCREW 4	2	2	2	
19	X1M-F1719-30	GROMMET	2	2	2	
20	X0N-F1999-00	CLAMP, WIRE HARNESS	2	2	2	
21	X1M-F1999-00	CLAMP, WIRE HARNESS	1	1	1	
22	X1M-F11A5-00	LABEL INFORMATION	1	1	1	



X1MA110-T020

FIG. 2 FRAME

REF. NO.	PART NO.	DESCRIPTION	X1MA	X1MB	X1MC	REMARKS
23	X1M-H4306-00	LABEL, CAUTION	1	1	1	
24	X1M-F2298-00	LABEL, CAUTION	1	1	1	
25	X1M-F3780-60	FORK COMP. 1	1			
	X1M-F3780-70	FORK COMP. 1		1		
	X1M-F3780-80	FORK COMP. 1			1	
26	X0N-F341A-10	STEERING SET	1	1	1	
27	X1M-F287K-00	CAP ASSY	1	1	1	
28	X0N-F3363-00	COLLAR 1	2	2	2	
29	X0N-F3364-00	COLLAR 2	2	2	2	
30	X1M-F389C-00	LABEL, CAUTION	1	1	1	
31	X0N-F781A-10	CRANK SET	1	1		
	X0N-F781A-20	CRANK SET			1	
32	X0N-F785A-10	PEDAL SET	1	1	1	
33	X1M-F7300-00	SIDE STAND ASSY	1	1	1	
34	X1M-F7275-00	PLATE	1	1	1	
35	X1M-F7117-00	BOLT, MAIN STAND	2	2	2	
36	X0U-F4159-00	NUT	2	2	2	

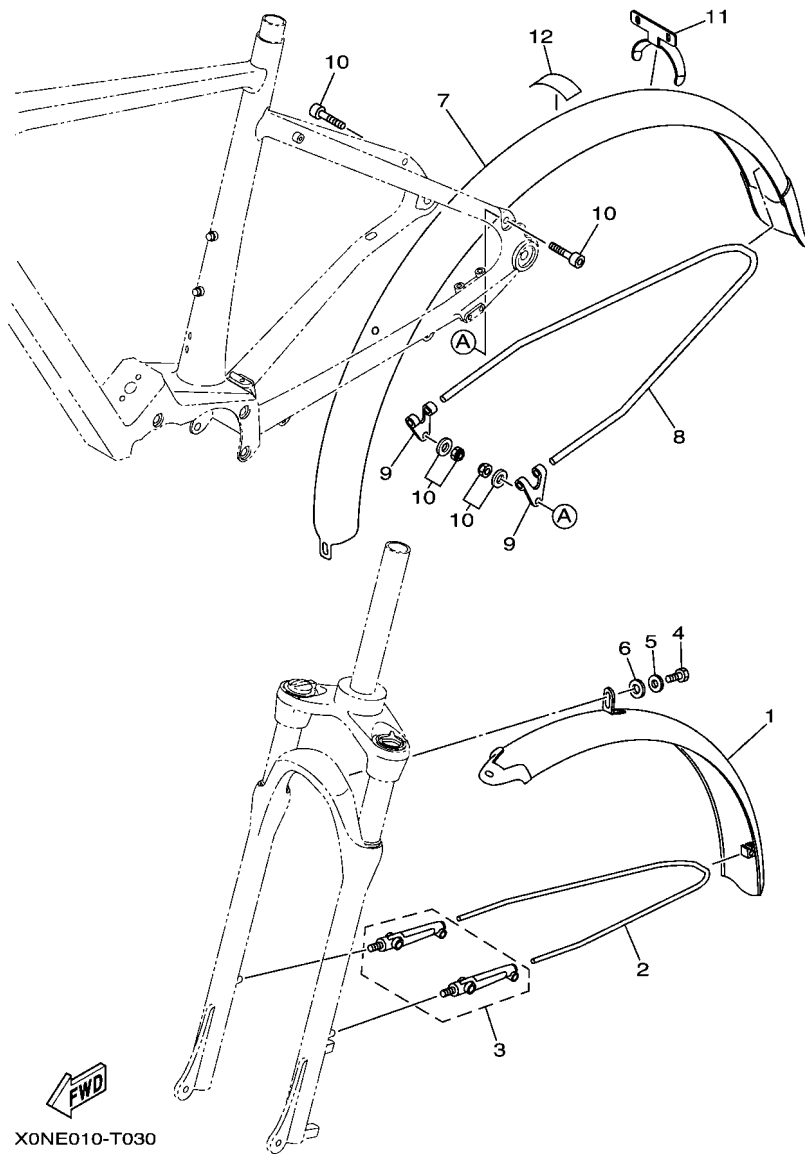


FIG. 3 FENDER

REF. NO.	PART NO.	DESCRIPTION	X1MA	X1MB	X1MC	REMARKS
1	X1M-F152R-00	GUARD, MUD	1	1	1	
2	X1M-F1513-00	STAY, FENDER 1	1	1	1	
3	X1M-F2954-00	ADAPTER	1	1	1	
4	X1M-F1631-00	BOLT 1	1	1	1	
5	X0U-F4722-00	WASHER, SPECIAL	1	1	1	
6	X1M-F1615-00	WASHER, SPECIAL 1	1	1	1	
7	X1M-F1629-00	GUARD, MUD	1	1	1	
8	X1M-F1613-00	STAY, FENDER 1	1	1	1	
9	X1M-F1523-00	PLATE 1	2	2	2	
10	X1M-F4176-00	BOLT 1	2	2	2	
11	X1M-F1612-00	BRACKET, REAR FENDER	1	1	1	
12	X1M-F415A-00	LABEL, CAUTION	1	1	1	

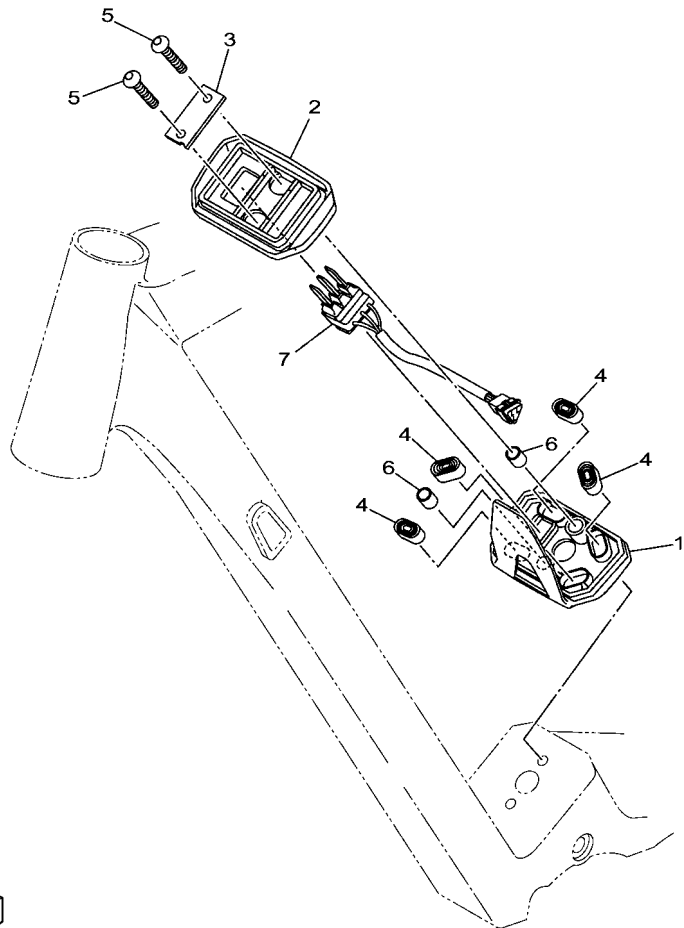
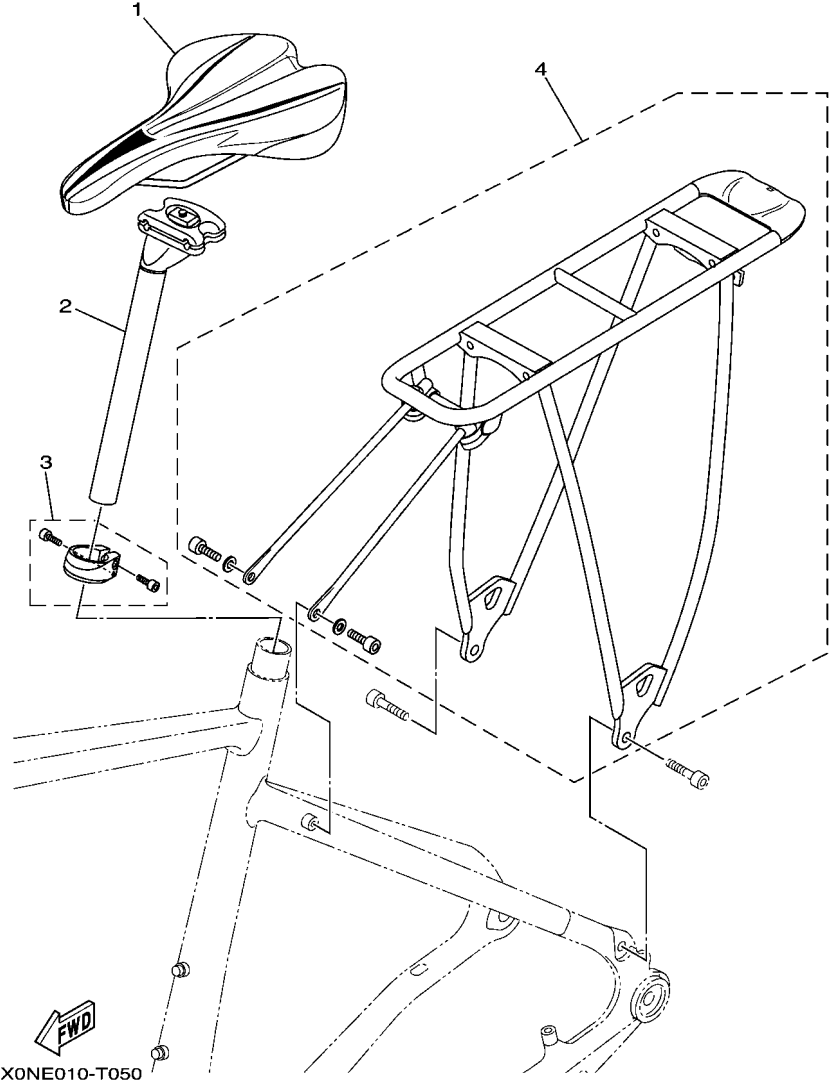


FIG. 4 SIDE COVER

REF. NO.	PART NO.	DESCRIPTION	X1MA	X1MB	X1MC	REMARKS
1	X94-82154-00	CASE	1	1	1	
2	X94-82164-00	CASE 2	1	1	1	
3	X94-21543-10	PLATE 1	1	1	1	
4	X94-2113B-10	DAMPER	4	4	4	
5	90111-05047	BOLT,HEX. SOCKET BUTTON	2	2	2	
6	90387-06303	COLLAR	2	2	2	
7	X94-87234-30	PLUG, D.C.RECEPTACLE	1	1	1	3P, L=200mm

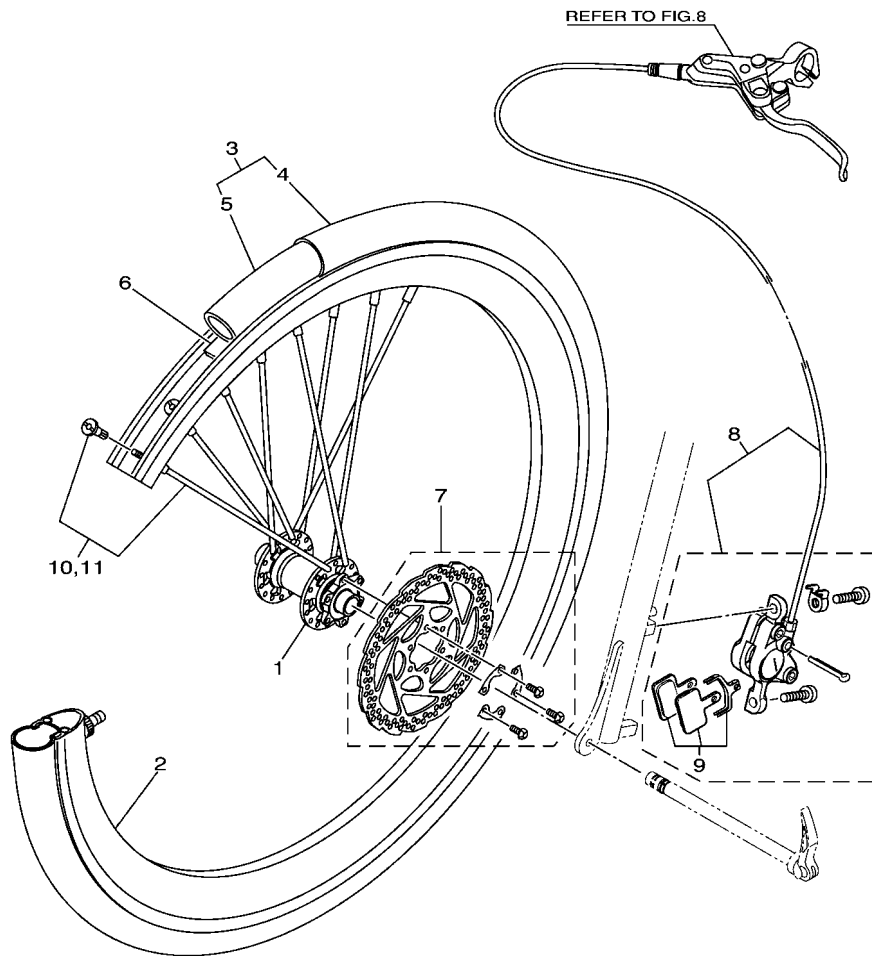

XONE010-T040

FIG. 5 SEAT & CARRIER



REF. NO.	PART NO.	DESCRIPTION	X1MA	X1MB	X1MC	REMARKS
1	X0N-F4910-50	SADDLE ASSY	1	1	1	
2	X0N-F4921-41	PILLAR, SEAT	1			
	X0N-F4921-51	PILLAR, SEAT		1		
	X0N-F4921-61	PILLAR, SEAT			1	
3	X0N-F4720-10	SEAT BAND ASSY	1	1	1	
4	X1M-F4841-00	CARRIER,1	1	1	1	

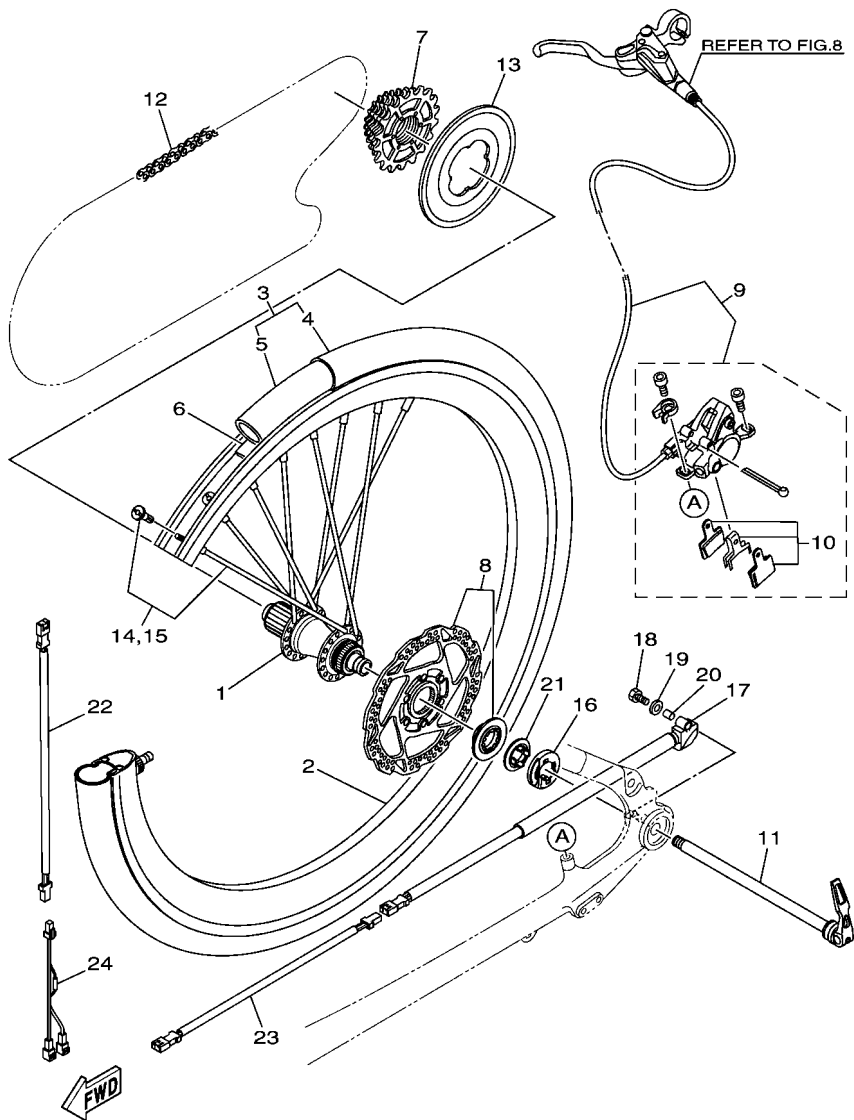
FIG. 6 FRONT WHEEL



REF. NO.	PART NO.	DESCRIPTION	X1MA	X1MB	X1MC	REMARKS
1	X1M-F5110-20	HUB ASSY, FRONT	1	1	1	
2	X1M-F5144-20	RIM	1	1	1	
3	X1M-F510M-20	TIRE SET	1	1	1	
4	X1M-F510S-30	.TIRE	1	1	1	
5	X1M-F510T-20	.TUBE	1	1	1	
6	X0N-F510U-10	BAND, RIM	1	1	1	
7	X1M-F5711-10	DISC, BRAKE	1	1	1	
8	X1M-F510E-20	.BRAKE ASSY	1	1	1	
9	X1M-F5130-20	BRAKE SHOE COMP.	1	1	1	
10	X1M-F5106-30	SPOKE SET, FRONT 1	1	1	1	Sprke18,Nipple18
11	X1M-F5107-30	SPOKE SET, FRONT 2	1	1	1	Sprke18,Nipple18


X1MA110-T060

The number used per Front Wheel 36 pcs.



X1MA110-T070

The number used per Rear Wheel 36 pcs.

FIG. 7 REAR WHEEL

REF. NO.	PART NO.	DESCRIPTION	X1MA	X1MB	X1MC	REMARKS
1	X1M-F5310-00	HUB ASSY	1	1	1	
2	X1M-F5144-20	RIM	1	1	1	
3	X1M-F510M-20	TIRE SET	1	1	1	
4	X1M-F510S-30	.TIRE	1	1	1	
5	X1M-F510T-20	.TUBE	1	1	1	
6	X0N-F510U-10	BAND, RIM	1	1	1	
7	X0N-F5410-10	RR. WHEEL SPROCKET COMP.	1	1	1	CS-HG50-9 9-SPD
8	X1M-F5711-20	DISC, BRAKE	1	1	1	
9	X1M-F5701-20	REAR BRAKE ASSY	1	1	1	
10	X1M-F5130-20	.BRAKE SHOE COMP.	1	1	1	
11	X1M-F533B-10	THROUGH AXLE BOLT ASSY.,RR.	1	1	1	
12	X1M-F53C0-30	CHAIN	1	1	1	
13	X1M-F531C-10	PROTECTOR, SPOKE	1	1	1	
14	X1M-F5305-30	SPOKE SET, REAR 1	1	1	1	Sprke18,Nipple18
15	X1M-F5306-30	SPOKE SET, REAR 2	1	1	1	Sprke18,Nipple18
16	X1M-8352Y-00	MAGNET COMP.	1	1	1	
17	X1M-81670-00	PICK-UP ASSY	1	1	1	
18	91317-03012	BOLT,HEX.SOCKET HEAD	1	1	1	
19	92907-03200	WASHER	1	1	1	
20	X0N-83522-00	COLLAR	1	1	1	
21	X1M-85557-00	HOLDER	1	1	1	
22	X1M-81515-00	LEAD WIRE ASSY	1	1	1	
23	X1M-86178-00	WIRE, LEAD 8	1	1	1	
24	X1M-86179-00	WIRE LEAD 3	1	1	1	

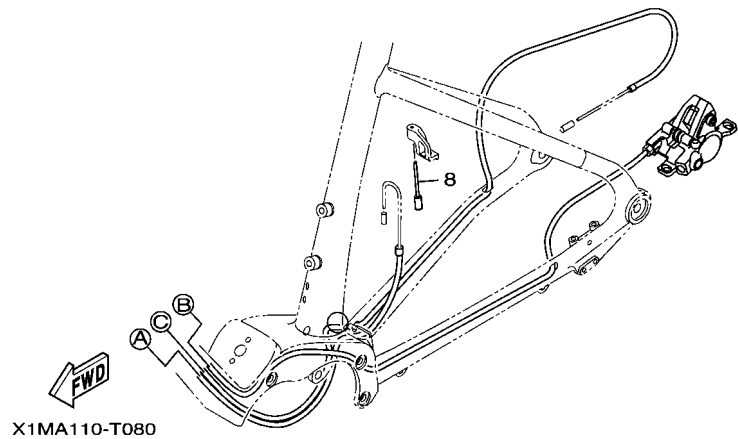
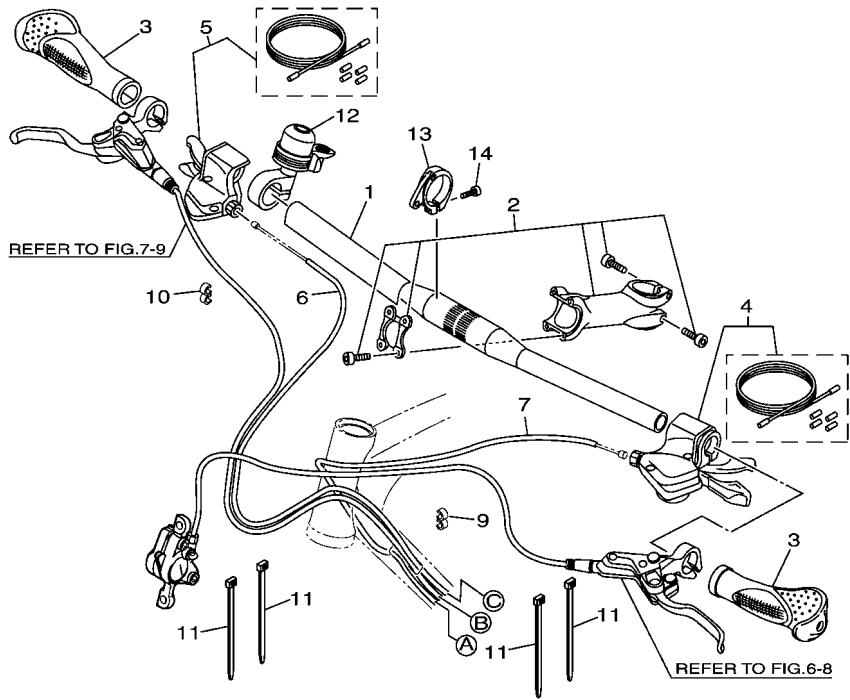
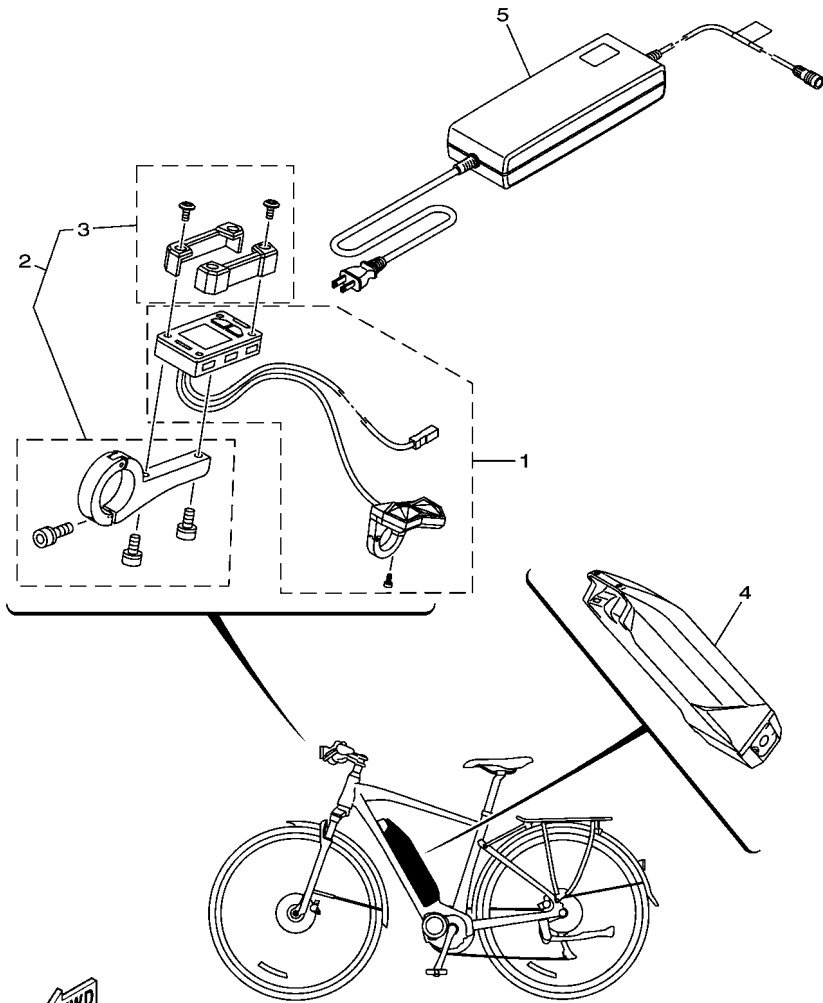


FIG. 8 STEERING HANDLE & CABLE

REF. NO.	PART NO.	DESCRIPTION	X1MA	X1MB	X1MC	REMARKS
1	X0N-F6112-40	BAR, HANDLE	1	1	1	
2	X0N-F6126-10	STEM, HANDLE	1			
	X0N-F6126-20	STEM, HANDLE		1	1	
3	X0N-F6201-10	GRIP SET	1	1	1	
4	X0N-F6411-00	SHIFT LEVER ASSY	1	1	1	SORA ASLR3000LB
5	X0N-F6411-10	SHIFT LEVER ASSY	1	1	1	SORA ASLR3000RA
6	X1M-F632K-80	WIRE, OUTER 1	1	1	1	
7	X1M-F632K-90	WIRE, OUTER 1	1	1	1	
8	X1M-F6358-00	CAP	1	1	1	
9	X1M-F6391-10	CLIP, CABLE	1	1	1	
10	X0N-F6392-00	CLIP, CABLE 2	1	1	1	
11	X1M-F1999-00	CLAMP, WIRE HARNESS	4	4	4	
12	X0N-H3382-10	BELL	1	1	1	
13	X1M-F3174-00	STAY, HEADLIGHT	1	1	1	
14	X1M-F6332-00	BOLT	1	1	1	

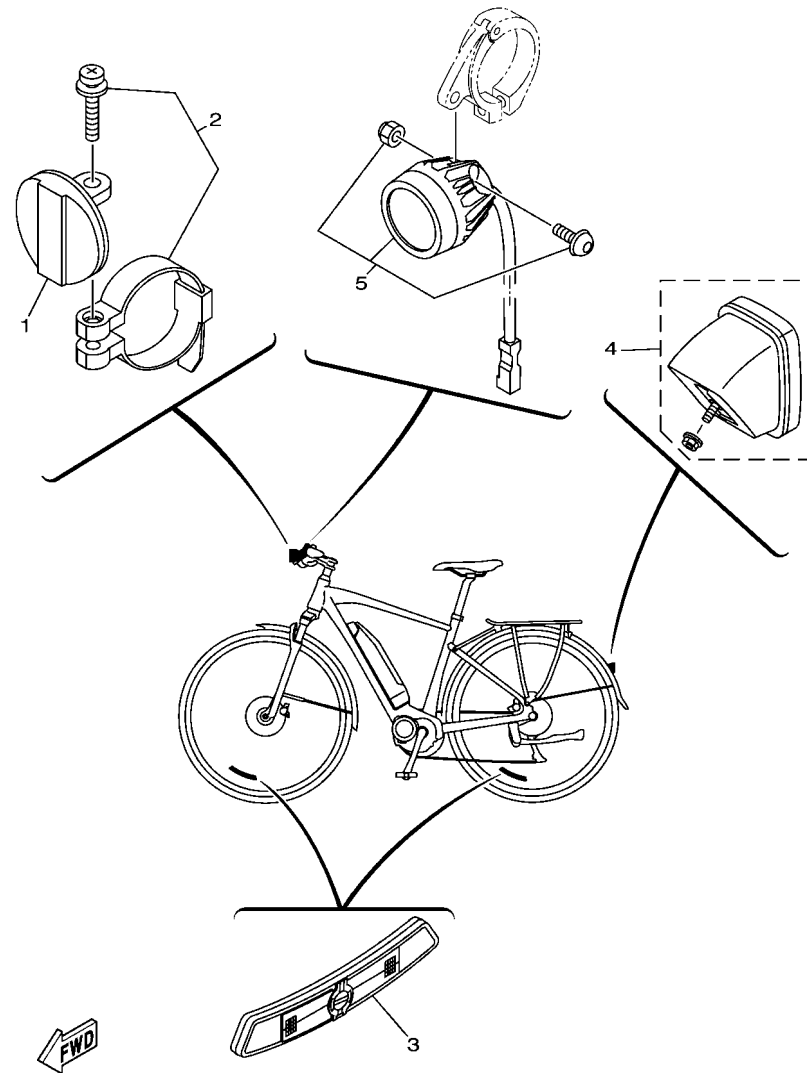
FIG. 9 ELECTRICAL 1

REF. NO.	PART NO.	DESCRIPTION	X1MA	X1MB	X1MC	REMARKS
1	X1M-83500-10	METER ASSY	1	1	1	
2	X0P-835B0-00	METER COVER KIT	1	1	1	
3	X1M-87278-00	.COVER, METER	1	1	1	
4	X1M-82110-10	BATTERY ASSY	1	1	1	
5	X1M-8210C-00	BATTERY CHARGER ASSY	1	1	1	



X1MA110-T090

FIG. 10 ELECTRICAL 2



X0NE010-T100

REF. NO.	PART NO.	DESCRIPTION	X1MA	X1MB	X1MC	REMARKS
1	X0N-H5110-00	REFLECTOR ASSY	1	1	1	
2	X0N-H3836-00	BAND	1	1	1	
3	X0N-H4323-00	REFLECTOR	2	2	2	
4	X0N-H5130-10	REAR REFLECTOR ASSY	1	1	1	
5	X1M-H4100-00	HEADLIGHT ASSY	1	1	1	
<hr/>						
<hr/>						
<hr/>						
<hr/>						
<hr/>						
<hr/>						
<hr/>						
<hr/>						
<hr/>						
<hr/>						
<hr/>						

NUMERICAL INDEX

PART NO.	REF. NO.	PART NO.	REF. NO.	PART NO.	REF. NO.	PART NO.	REF. NO.	PART NO.	REF. NO.	PART NO.	REF. NO.
X94-13327-00	1 - 13	X1M-F1161-10	2 - 5	X1M-F510M-20	6 - 3	X0N-H4323-00	10 - 3				
X94-15490-10	1 - 6	X1M-F11A5-00	2 - 22		7 - 3	X0N-H5110-00	10 - 1				
X94-16180-10	1 - 9	X0N-F11C5-00	2 - 4	X1M-F510S-30	6 - 4	X0N-H5130-10	10 - 4				
X94-16570-01	1 - 10	X1M-F11C5-00	2 - 6		7 - 4	90105-05029	1 - 15				
X1M-17061-A1	1 - 1	X1M-F11C6-00	2 - 10	X1M-F510T-20	6 - 5	90111-05047	4 - 5				
X0S-17062-01	1 - 8	X1M-F11C7-00	2 - 16		7 - 5	90164-03009	1 - 22				
X0S-17421-10	1 - 7	X1M-F11C8-00	2 - 18	X0N-F510U-10	6 - 6	90201-083J8	1 - 14				
X94-17463-10	1 - 26	X1M-F11D3-00	2 - 14		7 - 6	90387-06303	4 - 6				
X94-17510-00	1 - 5	X1M-F1339-00	2 - 13	X1M-F5110-20	6 - 1	91317-03012	7 - 18				
X94-17524-00	1 - 21	X1M-F1513-00	3 - 2	X1M-F5130-20	6 - 9	92017-05020	1 - 4				
X87-17840-00	1 - 12	X1M-F1523-00	3 - 9		7 - 10	92907-03200	7 - 19				
X94-2113B-10	4 - 4	X1M-F152R-00	3 - 1	X1M-F5144-20	6 - 2	93106-17001	1 - 11				
X94-21543-10	4 - 3	X1M-F1612-00	3 - 11		7 - 2						
X1M-81515-00	7 - 22	X1M-F1613-00	3 - 8	X0N-F515B-10	2 - 2						
X1M-81670-00	7 - 17	X1M-F1615-00	3 - 6	X1M-F5305-30	7 - 14						
X94-81890-02	1 - 2	X1M-F1629-00	3 - 7	X1M-F5306-30	7 - 15						
X1M-8210C-00	9 - 5	X1M-F1631-00	3 - 4	X1M-F5310-00	7 - 1						
X1M-82110-10	9 - 4	X1M-F1719-30	2 - 19	X1M-F531C-10	7 - 13						
X94-82154-00	4 - 1	X0N-F1999-00	2 - 20	X1M-F533B-10	7 - 11						
X94-82164-00	4 - 2	X1M-F1999-00	2 - 21	X0N-F535B-10	2 - 7						
X1M-83500-10	9 - 1		8 - 11	X1M-F53C0-30	7 - 12						
X0N-83522-00	7 - 20	X0N-F2125-10	2 - 11	X0N-F5410-10	7 - 7						
X1M-8352Y-00	7 - 16	X1M-F2298-00	2 - 24	X1M-F5701-20	7 - 9						
X0P-835B0-00	9 - 2	X1M-F256L-00	2 - 15	X1M-F5711-10	6 - 7						
X1M-85557-00	7 - 21	X1M-F287K-00	2 - 27	X1M-F5711-20	7 - 8						
X0S-86171-00	1 - 16	X1M-F2954-00	3 - 3	X0N-F6112-40	8 - 1						
X1M-86172-40	1 - 17	X1M-F3174-00	8 - 13	X0N-F6126-10	8 - 2						
X94-86173-00	1 - 18	X0N-F3363-00	2 - 28	X0N-F6126-20	8 - 2						
X94-86174-00	1 - 19	X0N-F3364-00	2 - 29	X0N-F6201-10	8 - 3						
X94-86175-00	1 - 20	X0N-F3393-00	2 - 12	X1M-F632K-80	8 - 6						
X1M-86178-00	7 - 23	X0N-F341A-10	2 - 26	X1M-F632K-90	8 - 7						
X1M-86179-00	7 - 24	X1M-F3780-60	2 - 25	X1M-F6332-00	8 - 14						
X1M-86212-A0	1 - 23	X1M-F3780-70	2 - 25	X1M-F6358-00	8 - 8						
X94-87153-01	1 - 3	X1M-F3780-80	2 - 25	X1M-F6391-10	8 - 9						
X94-87234-30	4 - 7	X1M-F389C-00	2 - 30	X0N-F6392-00	8 - 10						
X1M-87278-00	9 - 3	X0U-F4159-00	2 - 36	X0N-F6411-00	8 - 4						
X94-8A8B0-10	1 - 24	X1M-F415A-00	3 - 12	X0N-F6411-10	8 - 5						
X94-8A8B1-10	1 - 25	X1M-F4176-00	3 - 10	X1M-F7117-00	2 - 35						
X0N-E7452-10	1 - 27	X0N-F4720-10	5 - 3	X1M-F7275-00	2 - 34						
X1M-F1110-60-P0	2 - 1	X0U-F4722-00	3 - 5	X1M-F7300-00	2 - 33						
X1M-F1110-60-P1	2 - 1	X1M-F4841-00	5 - 4	X0N-F781A-10	2 - 31						
X1M-F1110-70-P0	2 - 1	X0N-F4910-50	5 - 1	X0N-F781A-20	2 - 31						
X1M-F1110-70-P1	2 - 1	X0N-F4921-41	5 - 2	X0N-F785A-10	2 - 32						
X1M-F1110-80-P0	2 - 1	X0N-F4921-51	5 - 2	X1M-H256A-00	2 - 17						
X1M-F1110-80-P1	2 - 1	X0N-F4921-61	5 - 2	X0N-H3382-10	8 - 12						
X1M-F112K-00	2 - 9	X1M-F5106-30	6 - 10	X0N-H3836-00	10 - 2						
X1M-F114C-00	2 - 3	X1M-F5107-30	6 - 11	X1M-H4100-00	10 - 5						
X1M-F114D-10	2 - 8	X1M-F510E-20	6 - 8	X1M-H4306-00	2 - 23						