



# **PARTS CATALOGUE**

## *Urban Rush*

**PW70URL** ( X1M4 ) USA

**PW70URM** ( X1M5 ) USA

**PW70URS** ( X1M6 ) USA

---

PW70URL  
PW70URM/PW70URS  
PARTS CATALOGUE  
©2018 by Yamaha Motor Co., Ltd.  
1st edition, June 2018  
All rights reserved.  
Any reprinting or unauthorized use  
without the written permission of  
Yamaha Motor Co., Ltd.  
is expressly prohibited.  
Printed in Japan.

# FOREWORD

This Parts Catalogue is related to the parts for the model(s) on the cover page. When you are ordering replacement parts, please refer to this Parts Catalogue and quote both part numbers and part names correctly.

1. Modifications or additions which have been made after the issue of the Parts Catalogue will be announced in the Parts News.  
It is advisable that you make the necessary corrections to the Parts Catalogue according to the Parts News.

2. Abbreviations

The following abbreviations are used in this Parts Catalogue.

“UR” Use specified parts number.

“UN” Use as many as needed.

“AP” Alternate Parts

“LM” Locally Made (Parts need to be ordered locally)

“F#” Frame No. (Applicable machine No.)

“O/S” Over Size

3. The number of components for assembly

- Parts, which are to be supplied in an assembly, are listed with a dot (.) in front of the part name as shown below.
- The numeral appearing to the right of each component part indicates the quantity of parts for each assembly unit.

PART NO.	DESCRIPTION	Q'TY	REMARKS
2F5-83310-60	FRONT FLASHER LIGHT ASSY	2	
115-83311-60	.BULB (6V-18W)	1	

4. Applicable colours of graphics are represented in the “REMARKS” as shown below.

PART NO.	DESCRIPTION	Q'TY	REMARKS
2N4-24110-00-X5	FUEL TANK COMP.	2	MXR
3J1-24240-10	.GRAPHIC, FUEL TANK	1	FOR MXR

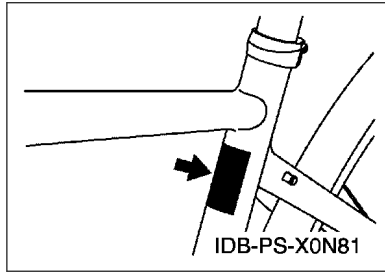
5. Note that the illustrations for reference in finding parts numbers are not to be used for assembling. When assembling, please use the applicable service manual.

6. The asterisk (\*) before a reference number indicates modified items after the first edition.

# FOREWORD

7. Applicable Serial No.

Frame Serial No.



8. Applicable Colour Code (The (\*) mark shows Model colour.)

Abbreviation	Colour Name	Colour Code
MDN4(*)	MAT DARK GRAY 4	1647

9. Applicable Starting Serial No.

Engine Serial No.

Serial No.	Name Of Q'ty Column	Model Code
X1M4-0001001	X1M4	X1M4
X1M5-0001001	X1M5	X1M5
X1M6-0001001	X1M6	X1M6

# CONTENTS

POWER UNIT.....	1
FRAME.....	2
SIDE COVER.....	4
SEAT & CARRIER.....	5
FRONT WHEEL.....	6
REAR WHEEL.....	7
STEERING HANDLE & CABLE.....	8
ELECTRICAL 1.....	9
ELECTRICAL 2.....	10

## INDEX

NUMERICAL INDEX.....	11
----------------------	----

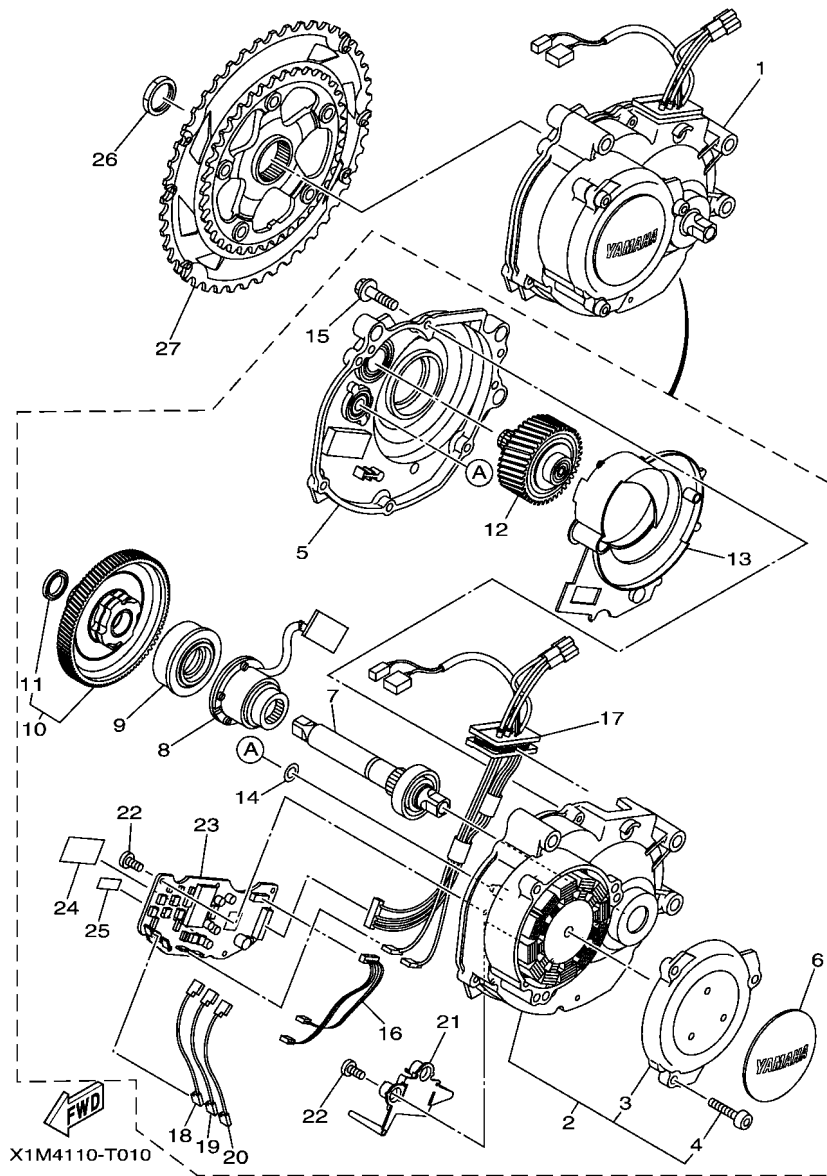


FIG. 1 POWER UNIT

REF. NO.	PART NO.	DESCRIPTION	X1M4	X1M5	X1M6	REMARKS
1	X1M-17061-40	DRIVE UNIT ASSY	1	1	1	
2	X94-81890-02	.MOTOR ASSY	1	1	1	
3	X94-87153-01	..COVER, STATOR	1	1	1	
4	92017-05020	..BOLT, BUTTON HEAD	3	3	3	
5	X94-17510-00	..HOUSING COMP.	1	1	1	
6	X94-15490-40	..COVER ASSY	1	1	1	SILVER LOGO 80
7	X0S-17421-10	..AXLE, DRIVE	1	1	1	
8	X0S-17062-01	..TORQUE SENSOR ASSY	1	1	1	
9	X94-16180-10	..ONE WAY BOSS COMP.	1	1	1	
10	X94-16570-01	..CLUTCH BOSS ASSY	1	1	1	
11	93106-17001	..OIL SEAL	1	1	1	
12	X87-17840-00	..DRIVEN GEAR ASSY	1	1	1	
13	X94-13327-00	..COVER, GEAR	1	1	1	
14	90201-083J8	..WASHER, PLATE	1	1	1	
15	90105-05029	..BOLT, FLANGE	6	6	6	
16	X0S-86171-00	..WIRE, LEAD 1	1	1	1	
17	X1M-86172-40	..WIRE, LEAD 2	1	1	1	
18	X94-86173-00	..WIRE, LEAD 3	1	1	1	
19	X94-86174-00	..WIRE, LEAD 4	1	1	1	
20	X94-86175-00	..WIRE, LEAD 5	1	1	1	
21	X94-17524-00	..HOLDER	1	1	1	
22	90164-03009	..SCREW, TAPPING	7	7	7	
23	X1M-86212-40	..CONTROLLER ASSY	1	1	1	
24	X94-8A8B0-10	..SHEET	1	1	1	
25	X94-8A8B1-10	..SHEET 1	1	1	1	
26	X94-17463-10	NUT, LOCK	1	1	1	BLACK
27	X0N-E7452-20	SPROCKET, DRIVE	1	1	1	

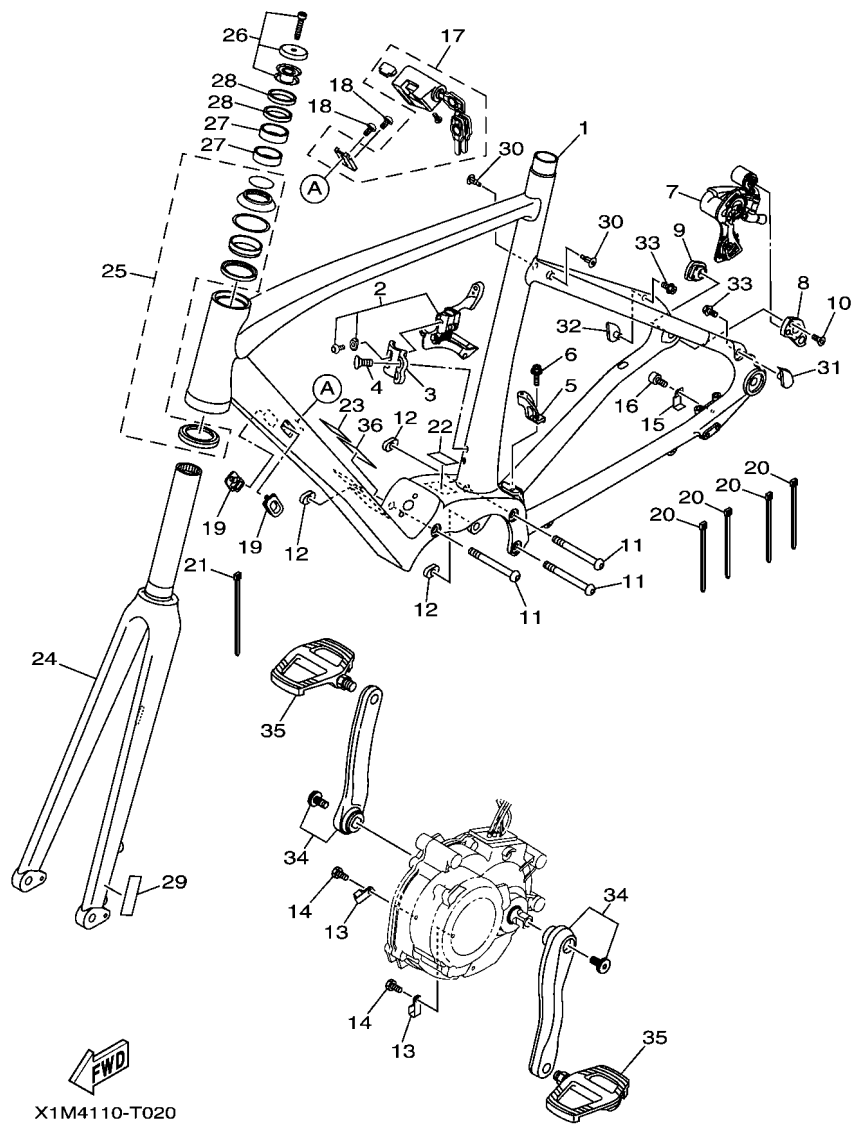
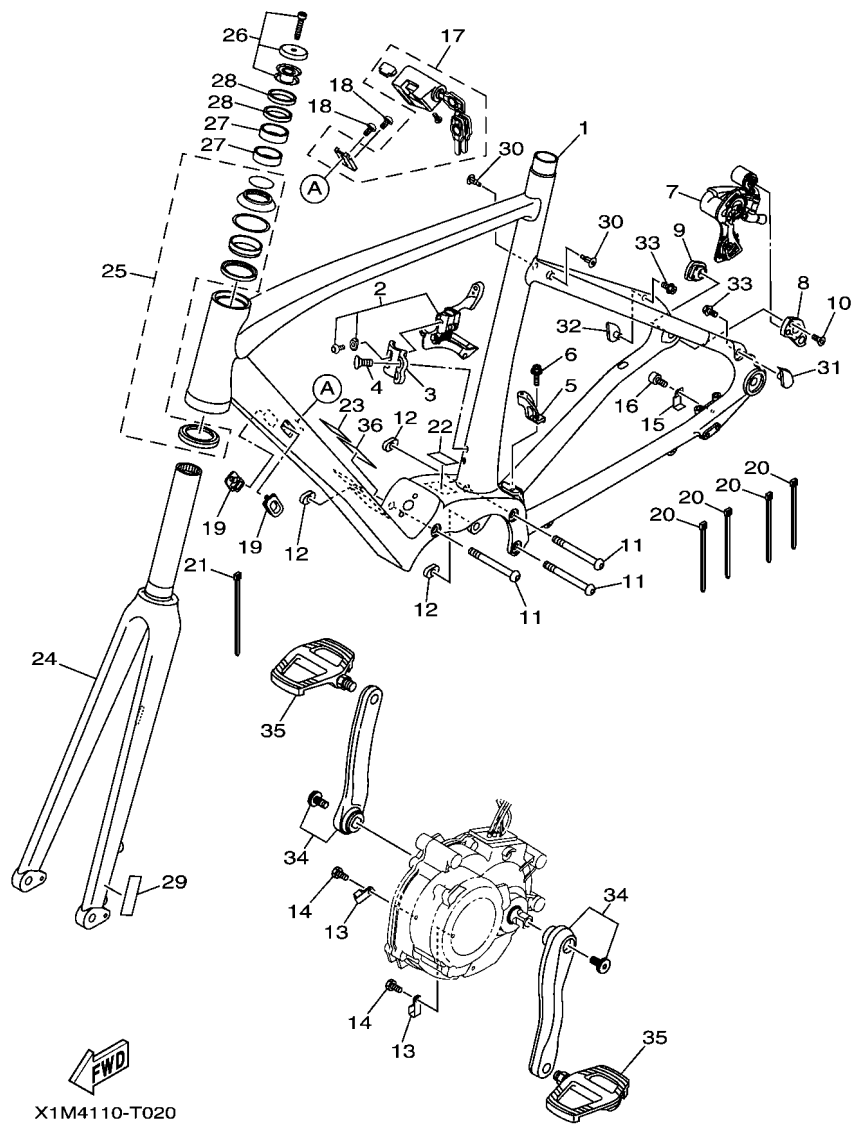


FIG. 2 FRAME

REF. NO.	PART NO.	DESCRIPTION	X1M4	X1M5	X1M6	REMARKS
1	X1M-F1110-30-P0	FRAME COMP.	1			FOR MDN4
	X1M-F1110-40-P0	FRAME COMP.		1		FOR MDN4
	X1M-F1110-50-P0	FRAME COMP.			1	FOR MDN4
2	X1M-F515B-00	FRONT DERAILLER	1	1	1	
3	X1M-F114C-00	BRACKET DERAILLER, FRONT	1	1	1	
4	X0N-F11C5-00	SCREW 1	2	2	2	
5	X1M-F1161-00	HOLDER, CABLE	1	1	1	
6	X1M-F11C5-00	SCREW 1	1	1	1	
7	X1M-F535B-10	REAR DERAILLER	1	1	1	
8	X1M-F114D-10	BRACKET DERAILLER, REAR	1	1	1	
9	X1M-F112K-00	BRACKET 5	1	1	1	
10	X1M-F11C6-00	SCREW 2	2	2	2	
11	X0N-F2125-10	BOLT	3	3	3	
12	X0N-F3393-00	NUT, SPECIAL	3	3	3	
13	X1M-F1339-00	GUIDE, WIRE	2	2	2	
14	X1M-F11D3-00	SCREW 6	2	2	2	
15	X1M-F256L-00	BRACKET	1	1	1	
16	X1M-F11C7-00	SCREW 3	1	1	1	
17	X1M-H256A-00	LOCK COMP.	1	1	1	
18	X1M-F11C8-00	SCREW 4	2	2	2	
19	X1M-F1719-30	GROMMET	2	2	2	
20	X0N-F1999-00	CLAMP, WIRE HARNESS	4	4	4	
21	X1M-F1999-00	CLAMP, WIRE HARNESS	1	1	1	
22	X1M-H4306-00	LABEL, CAUTION	1	1	1	
23	X1M-F2298-00	LABEL, CAUTION	1	1	1	
24	X1M-F3780-30-P0	FORK COMP. 1	1			FOR MDN4
	X1M-F3780-40-P0	FORK COMP. 1		1		FOR MDN4

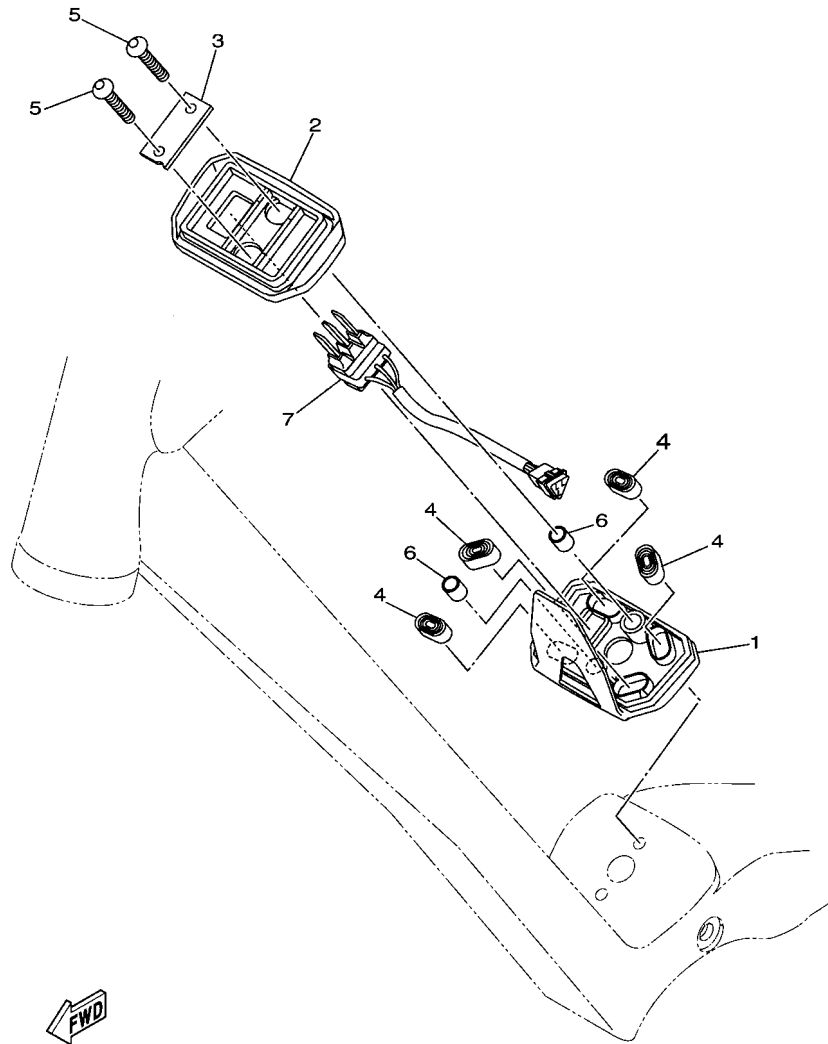


X1M4110-T020

FIG. 2 FRAME

REF. NO.	PART NO.	DESCRIPTION	X1M4	X1M5	X1M6	REMARKS
24	X1M-F3780-50-P0	FORK COMP. 1			1	FOR MDN4
25	X0N-F341A-00	STEERING SET	1	1	1	
26	X1M-F287K-00	CAP ASSY	1	1	1	
27	X0N-F3363-00	COLLAR 1	2	2	2	
28	X0N-F3364-00	COLLAR 2	2	2	2	
29	X1M-F389C-00	LABEL, CAUTION	1	1	1	
30	X1M-F143A-00	CAP	2	2	2	
31	X1M-F1399-00	CAP	1	1	1	L.H.
32	X1M-F1399-10	CAP	1	1	1	R.H.
33	X1M-F1532-00	BOLT 2	2	2	2	
34	X0N-F781A-10	CRANK SET	1	1		
	X0N-F781A-20	CRANK SET			1	
35	X0N-F785A-10	PEDAL SET	1	1	1	
36	X1M-F11A5-00	LABEL INFORMATION	1	1	1	



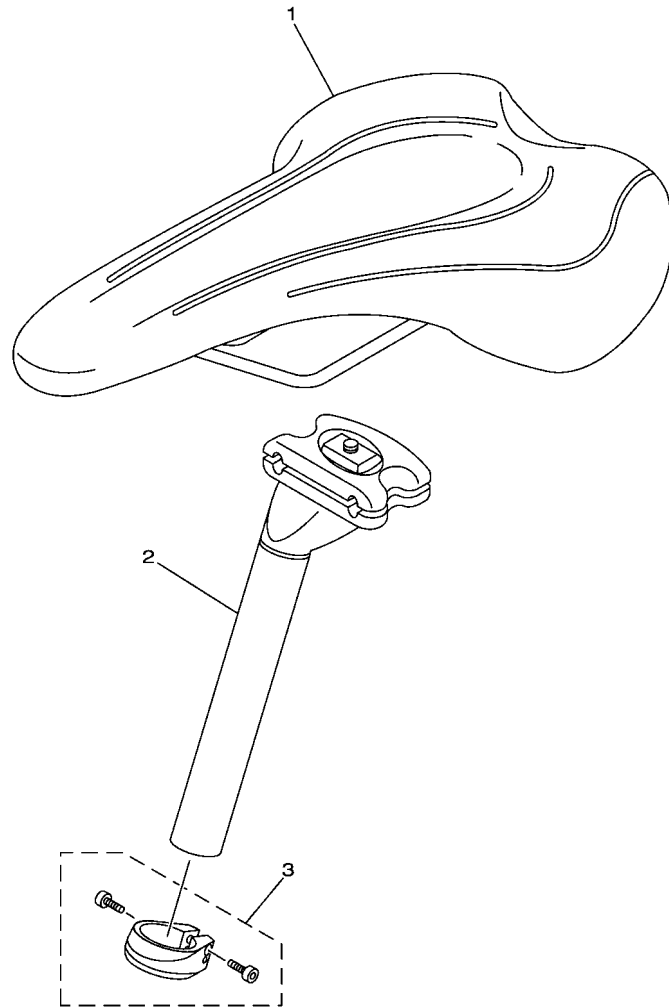


  
 X0N8010-T030

**FIG. 3 SIDE COVER**

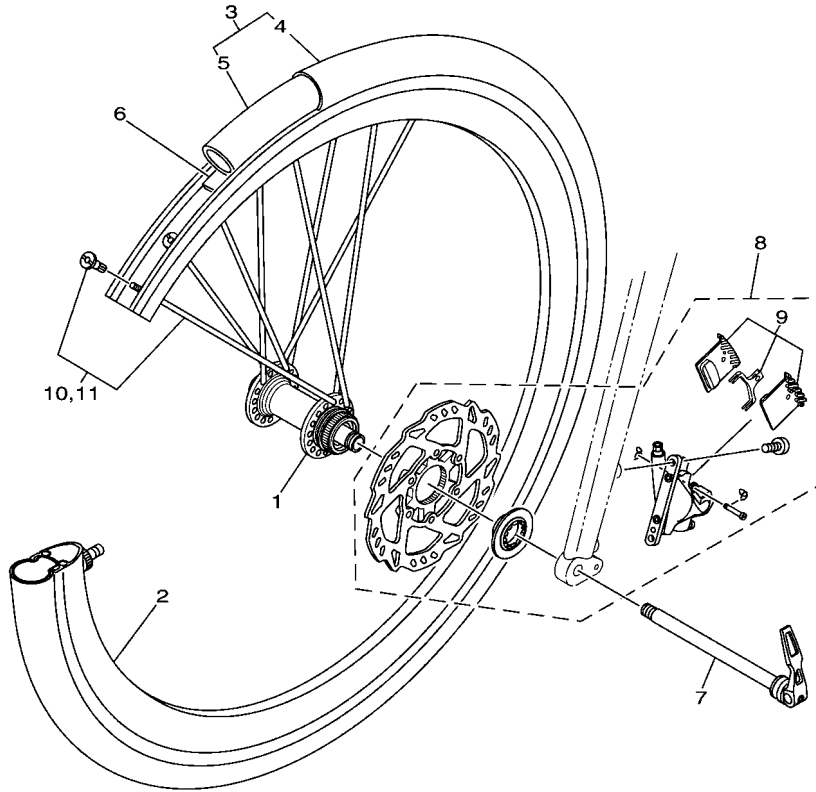
REF. NO.	PART NO.	DESCRIPTION	X1M4	X1M5	X1M6	REMARKS
1	X94-82154-00	CASE	1	1	1	
2	X94-82164-00	CASE 2	1	1	1	
3	X94-21543-10	PLATE 1	1	1	1	
4	X94-2113B-10	DAMPER	4	4	4	
5	90111-05047	BOLT,HEX. SOCKET BUTTON	2	2	2	
6	90387-06303	COLLAR	2	2	2	
7	X94-87234-30	PLUG, D.C.RECEPTACLE	1	1	1	3P, L=200mm

**FIG. 4 SEAT & CARRIER**



X0N8010-T040

REF. NO.	PART NO.	DESCRIPTION	X1M4	X1M5	X1M6					REMARKS	
1	X0N-F4910-40	SADDLE ASSY	1	1	1						
2	X0N-F4921-41	PILLAR, SEAT	1								
	X0N-F4921-51	PILLAR, SEAT		1							
	X0N-F4921-61	PILLAR, SEAT					1				
3	X0N-F4720-10	SEAT BAND ASSY	1	1	1						

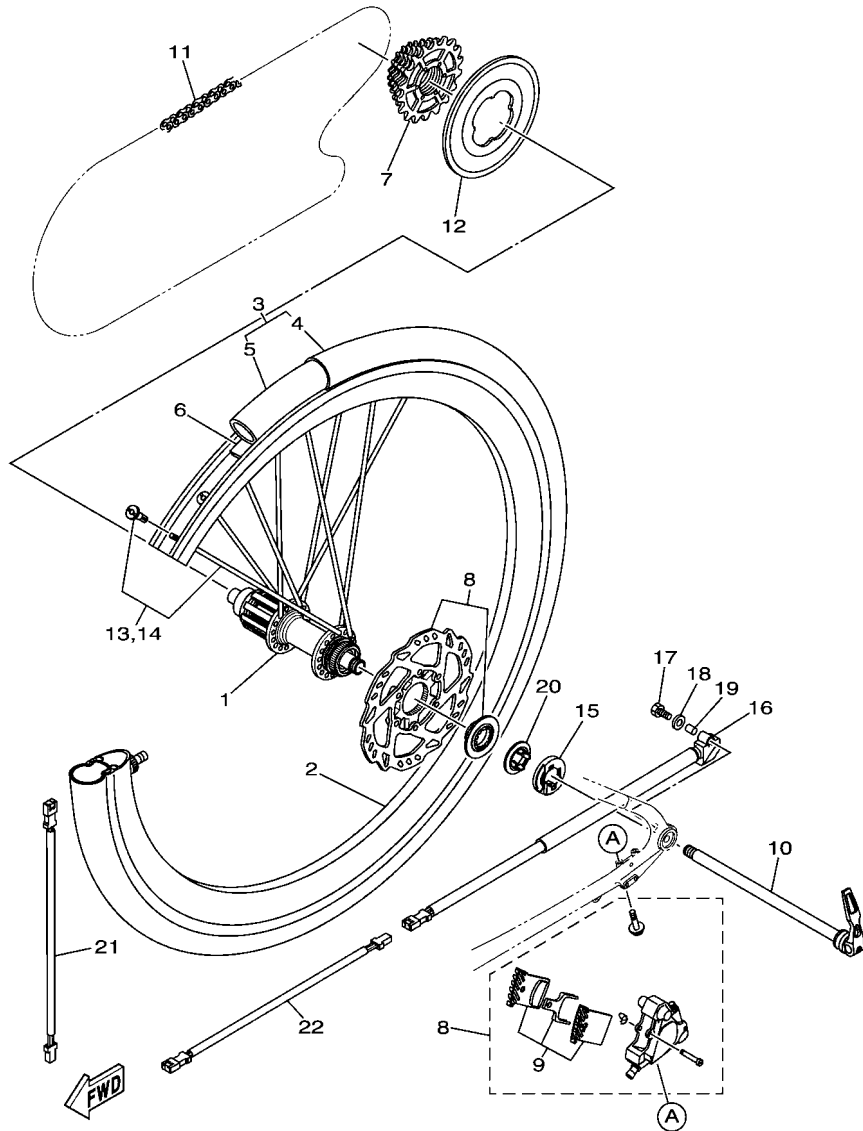


  
 X1M4110-T050

The number used per Front Wheel 36 pcs.

**FIG. 5 FRONT WHEEL**

REF. NO.	PART NO.	DESCRIPTION	X1M4	X1M5	X1M6	REMARKS
1	X1M-F5110-10	HUB ASSY, FRONT	1	1	1	
2	X1M-F5144-10	RIM	1	1	1	
3	X1M-F510M-00	TIRE SET	1	1	1	
4	X1M-F510S-10	.TIRE	1	1	1	
5	X1M-F510T-10	.TUBE	1	1	1	
6	X0N-F510U-10	BAND, RIM	1	1	1	
7	X1M-F513B-00	THROUGH AXLE BOLT ASSY FR	1	1	1	
8	X1M-F5711-00	DISC, BRAKE	1	1	1	
9	X1M-F5130-00	.BRAKE SHOE COMP.	1	1	1	
10	X1M-F5106-11	SPOKE SET, FRONT 1	1	1	1	Spoke18,Nipple18
11	X1M-F5107-11	SPOKE SET, FRONT 2	1	1	1	Spoke18,Nipple18



X1M4110-T060

The number used per Rear Wheel 36 pcs.

FIG. 6 REAR WHEEL

REF. NO.	PART NO.	DESCRIPTION	X1M4	X1M5	X1M6	REMARKS
1	X1M-F5310-10	HUB ASSY	1	1	1	
2	X1M-F5144-10	RIM	1	1	1	
3	X1M-F510M-00	TIRE SET	1	1	1	
4	X1M-F510S-10	.TIRE	1	1	1	
5	X1M-F510T-10	.TUBE	1	1	1	
6	X0N-F510U-10	BAND, RIM	1	1	1	
7	X1M-F5410-10	RR. WHEEL SPROCKET COMP.	1	1	1	
8	X1M-F5711-00	DISC, BRAKE	1	1	1	
9	X1M-F5130-00	.BRAKE SHOE COMP.	1	1	1	
10	X1M-F533B-10	THROUGH AXLE BOLT ASSY.,RR.	1	1	1	
11	X1M-F53C0-10	CHAIN	1	1	1	
12	X1M-F531C-10	PROTECTOR, SPOKE	1	1	1	
13	X1M-F5305-11	SPOKE SET, REAR 1	1	1	1	Spoke18,Nipple18
14	X1M-F5306-11	SPOKE SET, REAR 2	1	1	1	Spoke18,Nipple18
15	X1M-8352Y-00	MAGNET COMP.	1	1	1	
16	X1M-81670-00	PICK-UP ASSY	1	1	1	
17	91317-03012	BOLT,HEX.SOCKET HEAD	1	1	1	
18	92907-03200	WASHER	1	1	1	
19	X0N-83522-00	COLLAR	1	1	1	
20	X1M-85557-00	HOLDER	1	1	1	
21	X1M-81515-00	LEAD WIRE ASSY	1	1	1	
22	X1M-86178-00	WIRE, LEAD 8	1	1	1	

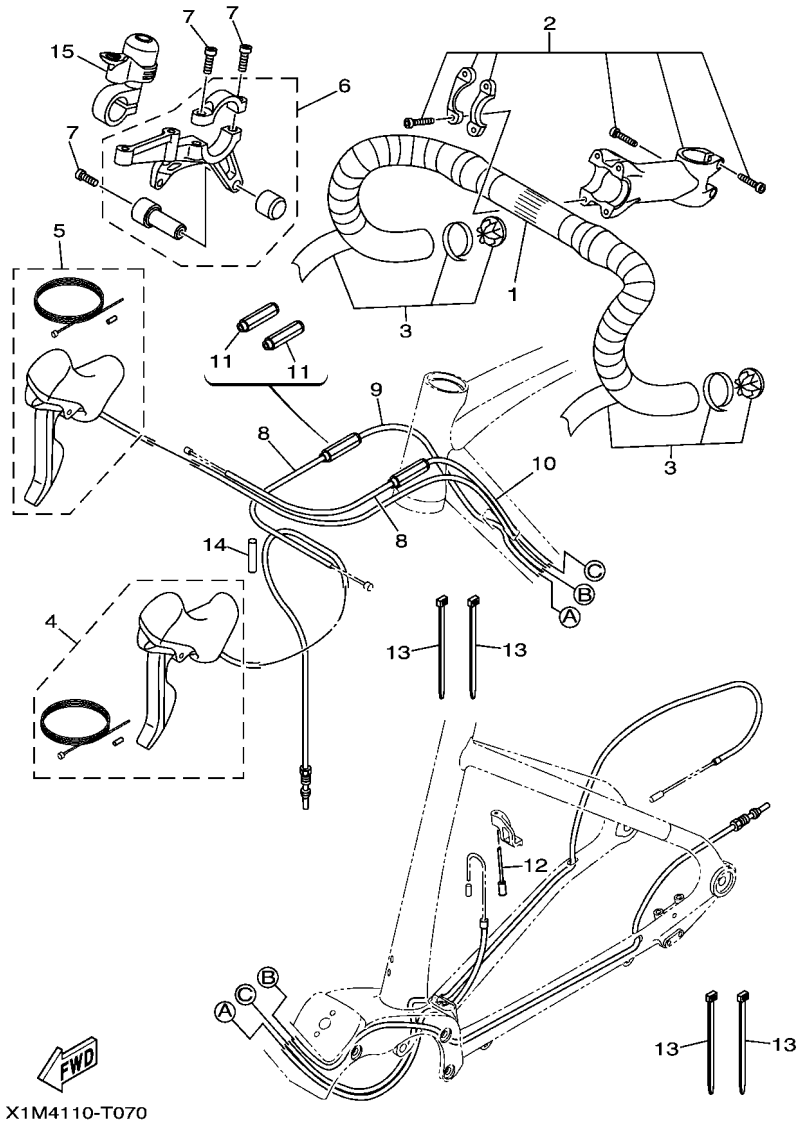
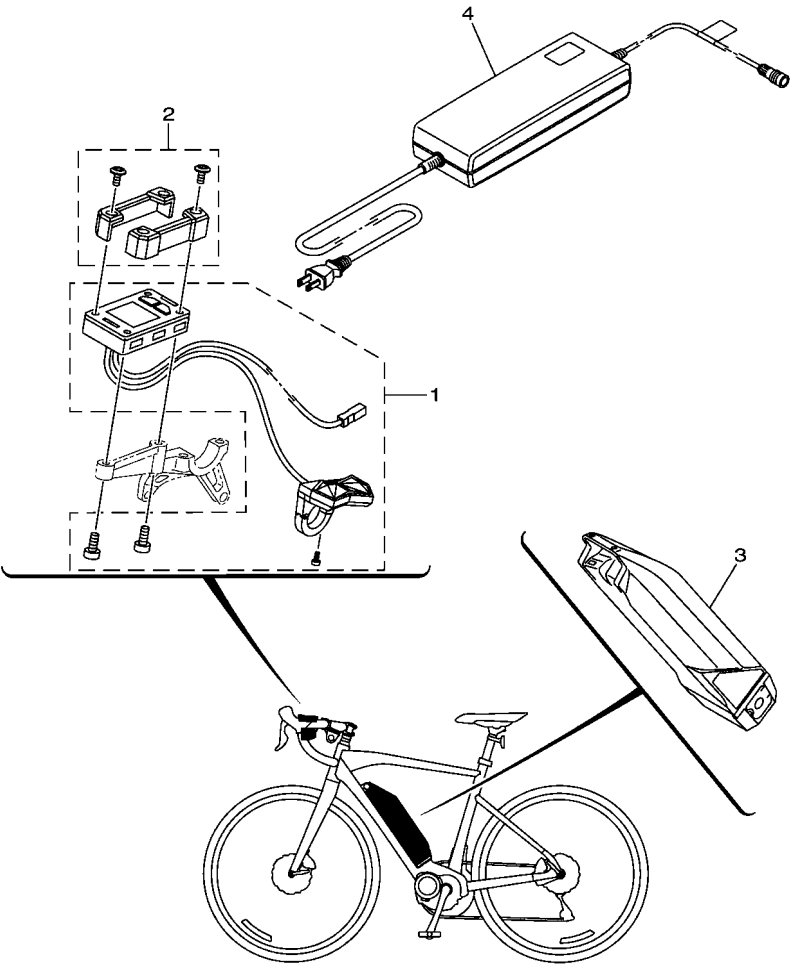


FIG. 7 STEERING HANDLE & CABLE

REF. NO.	PART NO.	DESCRIPTION	X1M4	X1M5	X1M6	REMARKS
1	X1M-F6112-10	BAR, HANDLE	1	1		
	X1M-F6112-20	BAR, HANDLE			1	
2	X0N-F6126-10	STEM, HANDLE	1			
	X0N-F6126-20	STEM, HANDLE		1	1	
3	X0N-F6117-20	TAPE, BAR	1	1	1	
4	X1M-F6170-00	CONTROL LEVER ASSY 1	1	1	1	
5	X1M-F6180-00	CONTROL LEVER ASSY 2	1	1	1	
6	X1M-F4881-00	BRKT., METER	1	1	1	
7	X1M-F6332-00	BOLT	3	3	3	
8	X1M-F632K-20	WIRE, OUTER 1	2	2	2	
9	X1M-F632K-30	WIRE, OUTER 1	1	1	1	
10	X1M-F632K-40	WIRE, OUTER 1	1	1	1	
11	X0N-F6317-00	ADJUSTER, CABLE	2	2	2	
12	X1M-F6358-00	CAP	1	1	1	
13	X1M-F1999-00	CLAMP, WIRE HARNESS	4	4	4	
14	X1M-F5881-00	PROTECTOR, BRAKE HOSE	1	1	1	
15	X0N-H3382-20	BELL	1	1	1	

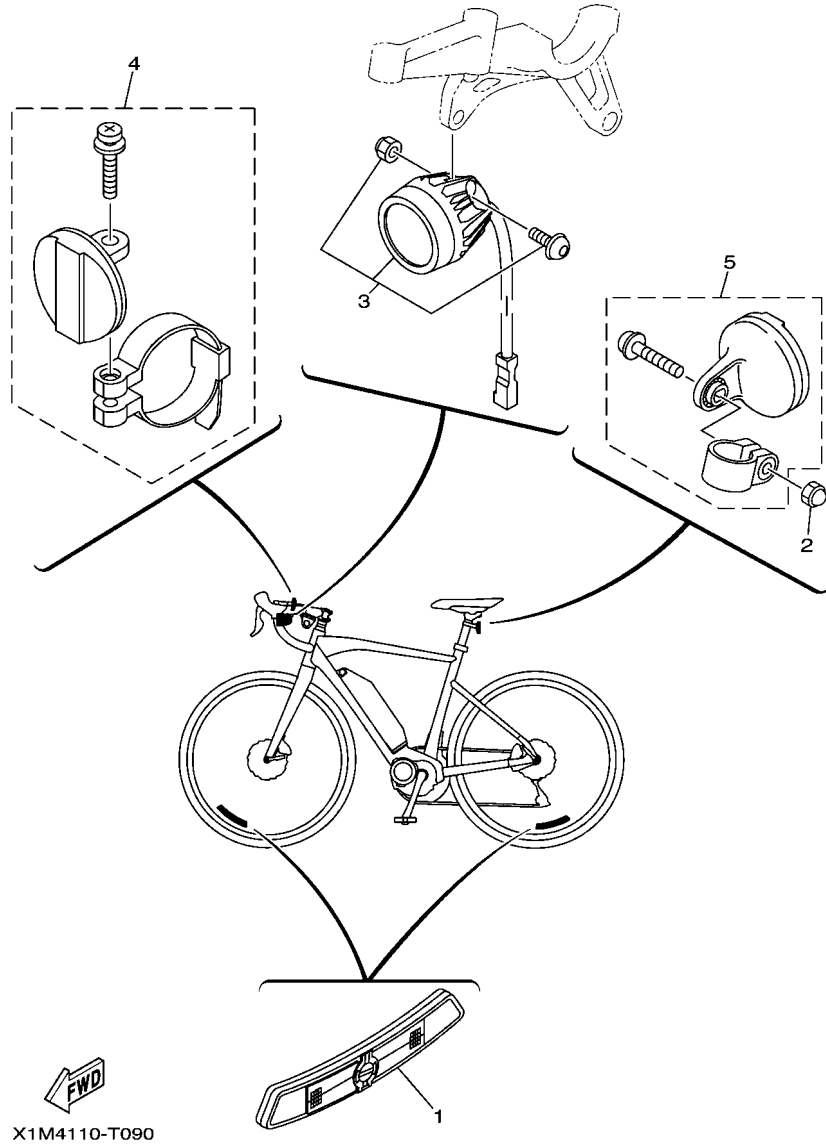
FIG. 8 ELECTRICAL 1



← FWD  
X1M4110-T080

REF. NO.	PART NO.	DESCRIPTION	X1M4	X1M5	X1M6	REMARKS
1	X1M-83500-10	METER ASSY	1	1	1	
2	X1M-87278-00	COVER, METER	1	1	1	
3	X1M-82110-10	BATTERY ASSY	1	1	1	
4	X1M-8210C-00	BATTERY CHARGER ASSY	1	1	1	

**FIG. 9 ELECTRICAL 2**



X1M4110-T090

REF. NO.	PART NO.	DESCRIPTION	X1M4	X1M5	X1M6	REMARKS
1	X0N-H4323-00	REFLECTOR	2	2	2	
2	X0U-F4681-00	NUT, CAP	1	1	1	
3	X1M-H4100-00	HEADLIGHT ASSY	1	1	1	
4	X0N-H5120-00	FRONT REFLECTOR ASSY 2	1	1	1	
5	X0N-H5140-00	REAR REFLECTOR ASSY	1	1	1	

NUMERICAL INDEX

PART NO.	REF. NO.	PART NO.	REF. NO.	PART NO.	REF. NO.	PART NO.	REF. NO.	PART NO.	REF. NO.	PART NO.	REF. NO.
X94-13327-00	1 - 13	X1M-F11C7-00	2 - 16	X1M-F5305-11	6 - 13						
X94-15490-40	1 - 6	X1M-F11C8-00	2 - 18	X1M-F5306-11	6 - 14						
X94-16180-10	1 - 9	X1M-F11D3-00	2 - 14	X1M-F5310-10	6 - 1						
X94-16570-01	1 - 10	X1M-F1339-00	2 - 13	X1M-F531C-10	6 - 12						
X1M-17061-40	1 - 1	X1M-F1399-00	2 - 31	X1M-F533B-10	6 - 10						
X0S-17062-01	1 - 8	X1M-F1399-10	2 - 32	X1M-F535B-10	2 - 7						
X0S-17421-10	1 - 7	X1M-F143A-00	2 - 30	X1M-F53C0-10	6 - 11						
X94-17463-10	1 - 26	X1M-F1532-00	2 - 33	X1M-F5410-10	6 - 7						
X94-17510-00	1 - 5	X1M-F1719-30	2 - 19	X1M-F5711-00	5 - 8						
X94-17524-00	1 - 21	X0N-F1999-00	2 - 20		6 - 8						
X87-17840-00	1 - 12	X1M-F1999-00	2 - 21	X1M-F5881-00	7 - 14						
X94-2113B-10	3 - 4		7 - 13	X1M-F6112-10	7 - 1						
X94-21543-10	3 - 3	X0N-F2125-10	2 - 11	X1M-F6112-20	7 - 1						
X1M-81515-00	6 - 21	X1M-F2298-00	2 - 23	X0N-F6117-20	7 - 3						
X1M-81670-00	6 - 16	X1M-F256L-00	2 - 15	X0N-F6126-10	7 - 2						
X94-81890-02	1 - 2	X1M-F287K-00	2 - 26	X0N-F6126-20	7 - 2						
X1M-8210C-00	8 - 4	X0N-F3363-00	2 - 27	X1M-F6170-00	7 - 4						
X1M-82110-10	8 - 3	X0N-F3364-00	2 - 28	X1M-F6180-00	7 - 5						
X94-82154-00	3 - 1	X0N-F3393-00	2 - 12	X0N-F6317-00	7 - 11						
X94-82164-00	3 - 2	X0N-F341A-00	2 - 25	X1M-F632K-20	7 - 8						
X1M-83500-10	8 - 1	X1M-F3780-30-P0	2 - 24	X1M-F632K-30	7 - 9						
X0N-83522-00	6 - 19	X1M-F3780-40-P0	2 - 24	X1M-F632K-40	7 - 10						
X1M-8352Y-00	6 - 15	X1M-F3780-50-P0	2 - 24	X1M-F6332-00	7 - 7						
X1M-85557-00	6 - 20	X1M-F389C-00	2 - 29	X1M-F6358-00	7 - 12						
X0S-86171-00	1 - 16	X0U-F4681-00	9 - 2	X0N-F781A-10	2 - 34						
X1M-86172-40	1 - 17	X0N-F4720-10	4 - 3	X0N-F781A-20	2 - 34						
X94-86173-00	1 - 18	X1M-F4881-00	7 - 6	X0N-F785A-10	2 - 35						
X94-86174-00	1 - 19	X0N-F4910-40	4 - 1	X1M-H256A-00	2 - 17						
X94-86175-00	1 - 20	X0N-F4921-41	4 - 2	X0N-H3382-20	7 - 15						
X1M-86178-00	6 - 22	X0N-F4921-51	4 - 2	X1M-H4100-00	9 - 3						
X1M-86212-40	1 - 23	X0N-F4921-61	4 - 2	X1M-H4306-00	2 - 22						
X94-87153-01	1 - 3	X1M-F5106-11	5 - 10	X0N-H4323-00	9 - 1						
X94-87234-30	3 - 7	X1M-F5107-11	5 - 11	X0N-H5120-00	9 - 4						
X1M-87278-00	8 - 2	X1M-F510M-00	5 - 3	X0N-H5140-00	9 - 5						
X94-8A8B0-10	1 - 24		6 - 3	90105-05029	1 - 15						
X94-8A8B1-10	1 - 25	X1M-F510S-10	5 - 4	90111-05047	3 - 5						
X0N-E7452-20	1 - 27		6 - 4	90164-03009	1 - 22						
X1M-F1110-30-P0	2 - 1	X1M-F510T-10	5 - 5	90201-083J8	1 - 14						
X1M-F1110-40-P0	2 - 1		6 - 5	90387-06303	3 - 6						
X1M-F1110-50-P0	2 - 1	X0N-F510U-10	5 - 6	91317-03012	6 - 17						
X1M-F112K-00	2 - 9		6 - 6	92017-05020	1 - 4						
X1M-F114C-00	2 - 3	X1M-F5110-10	5 - 1	92907-03200	6 - 18						
X1M-F114D-10	2 - 8	X1M-F5130-00	5 - 9	93106-17001	1 - 11						
X1M-F1161-00	2 - 5		6 - 9								
X1M-F11A5-00	2 - 36	X1M-F513B-00	5 - 7								
X0N-F11C5-00	2 - 4	X1M-F5144-10	5 - 2								
X1M-F11C5-00	2 - 6		6 - 2								
X1M-F11C6-00	2 - 10	X1M-F515B-00	2 - 2								