



PARTS CATALOGUE

Wabash

PW70WL (X1MD) USA

PW70WM (X1ME) USA

PW70WS (X1MF) USA



1UX1M-110E1

()

2019/8/27

NEWS NO.	DATE	COMMENT
PE0-PS-190005	Aug.,20,2019	MOD:FIG.9 ELECTRICAL 2 LIST/ILLUSTRATION REVISION

PW70WL
PW70WM/PW70WS
PARTS CATALOGUE
©2019 by Yamaha Motor Co., Ltd.
1st edition, April 2019
All rights reserved.
Any reprinting or unauthorized use
without the written permission of
Yamaha Motor Co., Ltd.
is expressly prohibited.
Printed in Japan.

FOREWORD

This Parts Catalogue is related to the parts for the model(s) on the cover page. When you are ordering replacement parts, please refer to this Parts Catalogue and quote both part numbers and part names correctly.

1. Modifications or additions which have been made after the issue of the Parts Catalogue will be announced in the Parts News.
It is advisable that you make the necessary corrections to the Parts Catalogue according to the Parts News.

2. Abbreviations

The following abbreviations are used in this Parts Catalogue.

“UR” Use specified parts number.

“UN” Use as many as needed.

“AP” Alternate Parts

“LM” Locally Made (Parts need to be ordered locally)

“F#” Frame No. (Applicable machine No.)

“O/S” Over Size

3. The number of components for assembly

- Parts, which are to be supplied in an assembly, are listed with a dot (.) in front of the part name as shown below.
- The numeral appearing to the right of each component part indicates the quantity of parts for each assembly unit.

PART NO.	DESCRIPTION	Q'TY	REMARKS
2F5-83310-60	FRONT FLASHER LIGHT ASSY	2	
115-83311-60	.BULB (6V-18W)	1	

4. Applicable colours of graphics are represented in the “REMARKS” as shown below.

PART NO.	DESCRIPTION	Q'TY	REMARKS
2N4-24110-00-X5	FUEL TANK COMP.	2	MXR
3J1-24240-10	.GRAPHIC, FUEL TANK	1	FOR MXR

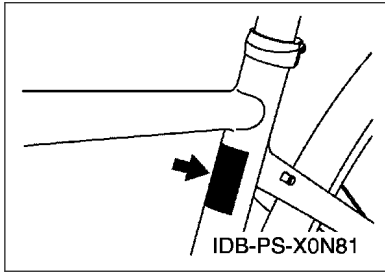
5. Note that the illustrations for reference in finding parts numbers are not to be used for assembling. When assembling, please use the applicable service manual.

6. The asterisk (*) before a reference number indicates modified items after the first edition.

FOREWORD

7. Applicable Serial No.

Frame Serial No.



8. Applicable Colour Code (The (*) mark shows Model colour.)

Abbreviation	Colour Name	Colour Code
MNY2(*)	MAT GRAYISH YELLOW 2	1696

9. Applicable Starting Serial No.

Engine Serial No.

Serial No.	Name Of Q'ty Column	Model Code
X1MD-0001001	X1MD	X1MD
X1ME-0001001	X1ME	X1ME
X1MF-0001001	X1MF	X1MF

CONTENTS

POWER UNIT.....	1
FRAME.....	2
SIDE COVER.....	4
SEAT & CARRIER.....	5
FRONT WHEEL.....	6
REAR WHEEL.....	7
STEERING HANDLE & CABLE.....	8
ELECTRICAL 1.....	9
ELECTRICAL 2.....	10

INDEX

NUMERICAL INDEX.....	11
----------------------	----

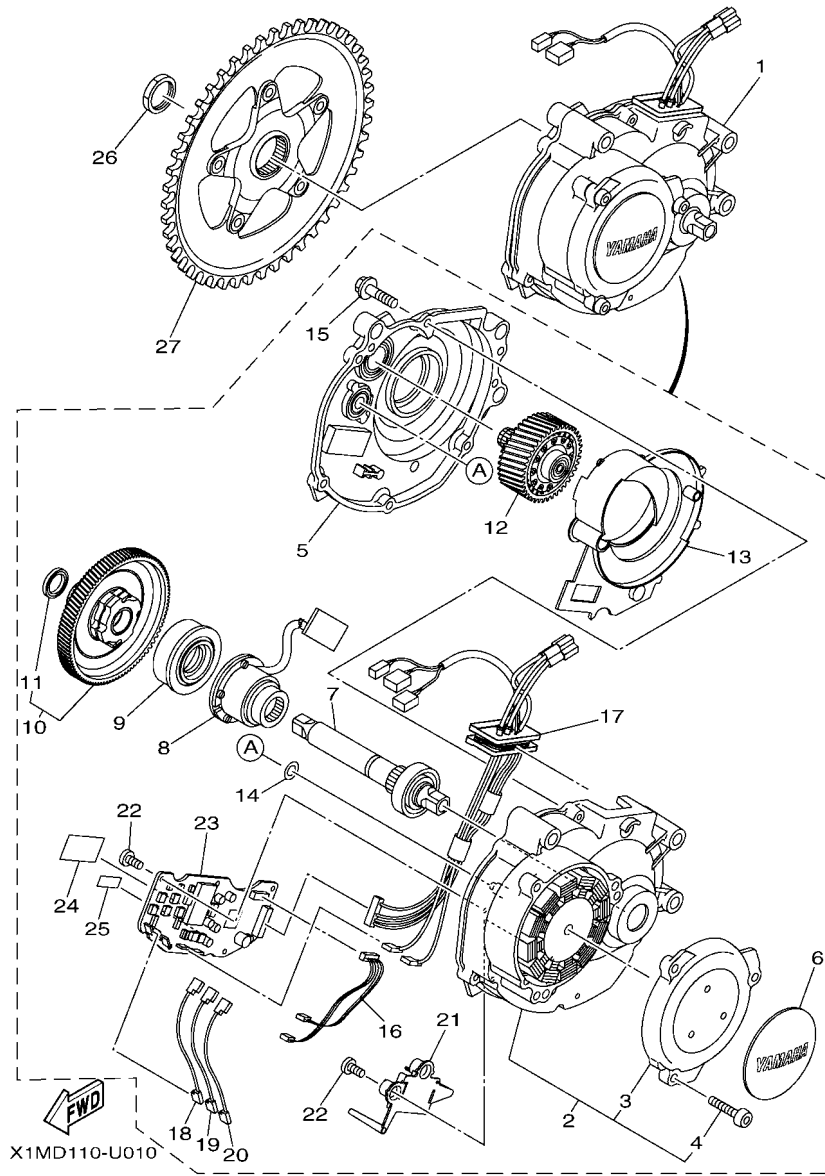
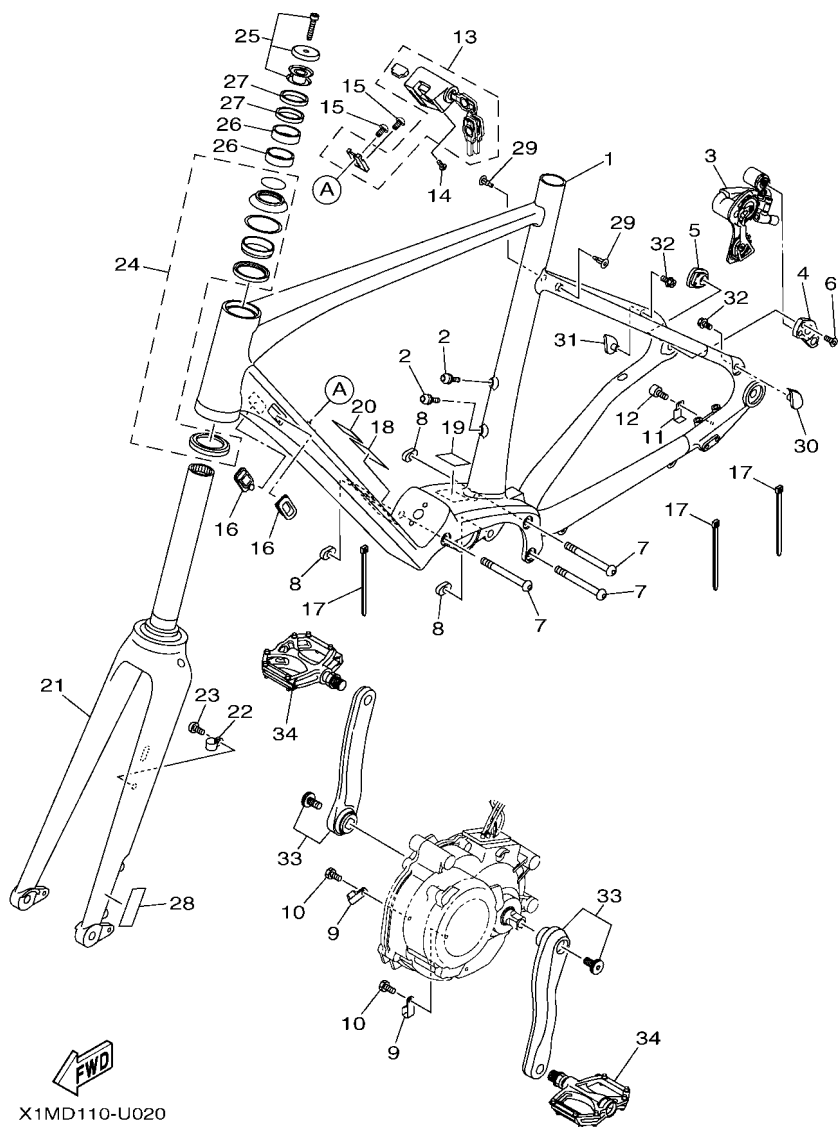


FIG. 1 POWER UNIT

REF. NO.	PART NO.	DESCRIPTION	X1MD	X1ME	X1MF	REMARKS
1	X1M-17061-D0	DRIVE UNIT ASSY	1	1	1	
2	X94-81890-02	.MOTOR ASSY	1	1	1	
3	X94-87153-01	..COVER, STATOR	1	1	1	
4	92017-05020	..BOLT, BUTTON HEAD	3	3	3	
5	X94-17510-00	..HOUSING COMP.	1	1	1	
6	X94-15490-40	..COVER ASSY	1	1	1	SILVER LOGO 80
7	X0S-17421-10	..AXLE, DRIVE	1	1	1	
8	X0S-17062-02	..TORQUE SENSOR ASSY	1	1	1	
9	X94-16180-10	..ONE WAY BOSS COMP.	1	1	1	
10	X94-16570-03	..CLUTCH BOSS ASSY	1	1	1	
11	93106-17001	..OIL SEAL	1	1	1	
12	X0S-17840-00	..DRIVEN GEAR ASSY	1	1	1	
13	X94-13327-00	..COVER, GEAR	1	1	1	
14	90201-083J8	..WASHER, PLATE	1	1	1	
15	90105-05029	..BOLT, FLANGE	6	6	6	
16	X0S-86171-00	..WIRE, LEAD 1	1	1	1	
17	X1M-86172-41	..WIRE, LEAD 2	1	1	1	
18	X94-86173-00	..WIRE, LEAD 3	1	1	1	
19	X94-86174-00	..WIRE, LEAD 4	1	1	1	
20	X94-86175-00	..WIRE, LEAD 5	1	1	1	
21	X94-17524-00	..HOLDER	1	1	1	
22	90164-03009	..SCREW, TAPPING	7	7	7	
23	X1M-86212-D0	..CONTROLLER ASSY	1	1	1	
24	X94-8A8B0-10	..SHEET	1	1	1	
25	X94-8A8B1-10	..SHEET 1	1	1	1	
26	X94-17463-10	NUT, LOCK	1	1	1	BLACK
27	X1M-E7452-10	SPROCKET, DRIVE	1	1	1	

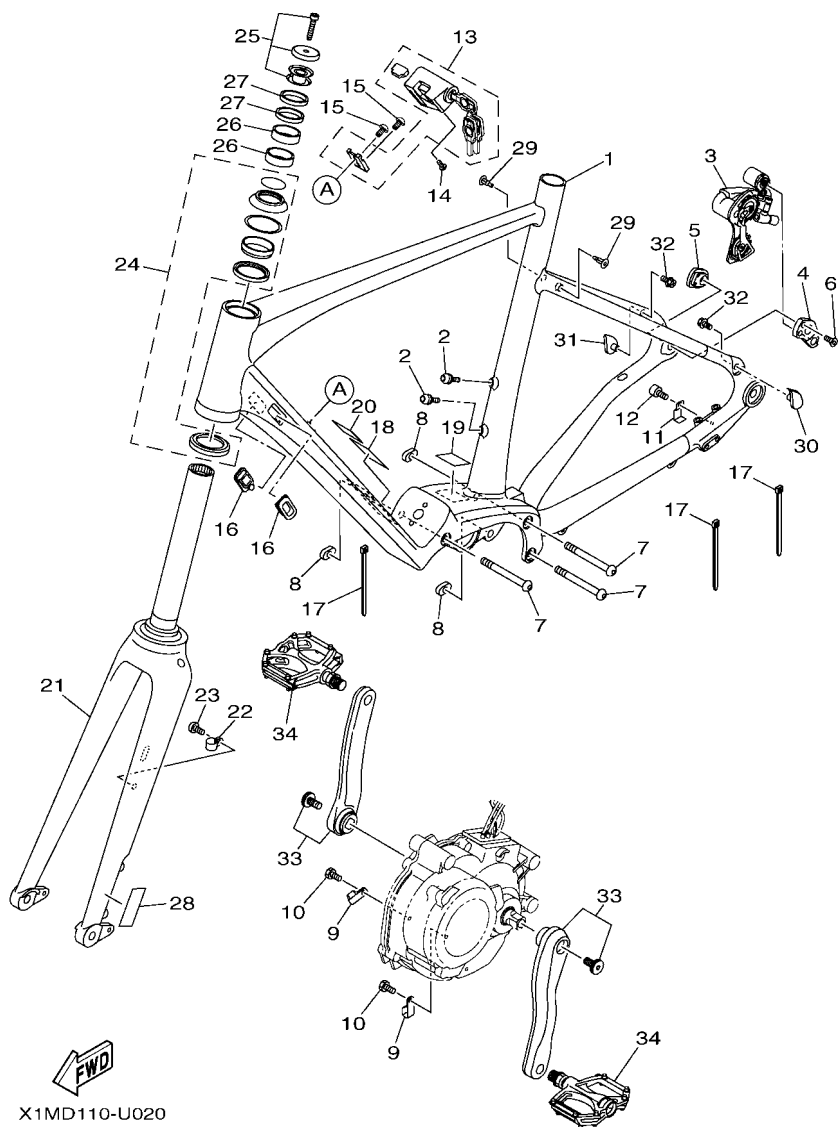
FIG. 2 FRAME



X1MD110-U020

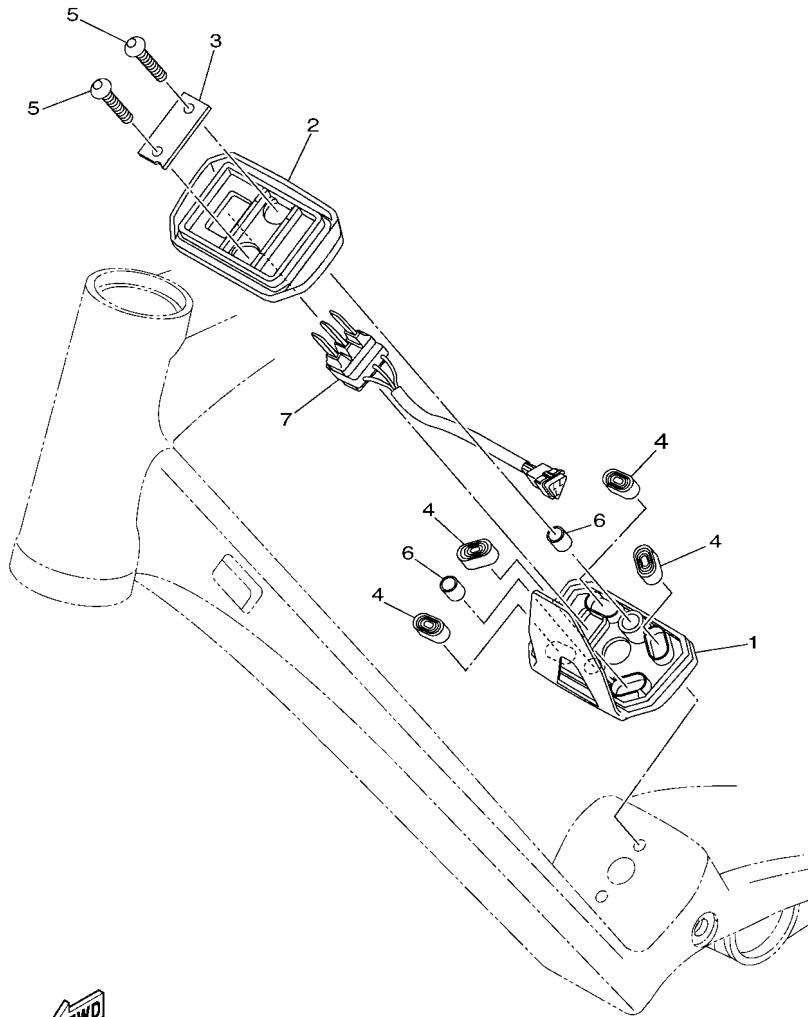
REF. NO.	PART NO.	DESCRIPTION	X1MD	X1ME	X1MF	REMARKS
1	X1M-F1110-90-0X	FRAME COMP.	1			
	X1M-F1110-A0-0X	FRAME COMP.		1		
	X1M-F1110-B0-0X	FRAME COMP.			1	
2	X1M-F1531-00	BOLT	2	2	2	
3	X1M-F535B-20	REAR DERAILLER	1	1	1	
4	X1M-F114D-10	BRACKET DERAILLER, REAR	1	1	1	
5	X1M-F112K-00	BRACKET 5	1	1	1	
6	X1M-F11C6-00	SCREW 2	2	2	2	
7	X0N-F2125-10	BOLT	3	3	3	
8	X0N-F3393-00	NUT, SPECIAL	3	3	3	
9	X1M-F1339-00	GUIDE, WIRE	2	2	2	
10	X1M-F11D3-00	SCREW 6	2	2	2	
11	X1M-F256L-00	BRACKET	1	1	1	
12	X1M-F11C7-00	SCREW 3	1	1	1	
13	X1M-H256A-00	LOCK COMP.	1	1	1	
14	X1M-F1738-00	BOLT	1	1	1	
15	X1M-F11C8-00	SCREW 4	2	2	2	
16	X1M-F1719-30	GROMMET	2	2	2	
17	X0N-F1999-00	CLAMP, WIRE HARNESS	3	3	3	
18	X1M-F11A5-00	LABEL INFORMATION	1	1	1	
19	X1M-H4306-00	LABEL, CAUTION	1	1	1	
20	X1M-F2298-00	LABEL, CAUTION	1	1	1	
21	X1M-F3780-90-0X	FORK COMP. 1	1			
	X1M-F3780-A0-0X	FORK COMP. 1		1		
	X1M-F3780-B0-0X	FORK COMP. 1			1	
22	X0N-F1339-00	GUIDE, WIRE	1	1	1	
23	X1M-F11D3-00	SCREW 6	1	1	1	

FIG. 2 FRAME



REF. NO.	PART NO.	DESCRIPTION	X1MD	X1ME	X1MF	REMARKS
24	X0N-F341A-00	STEERING SET	1	1	1	
25	X0N-F287K-10	CAP ASSY	1	1	1	
26	X0N-F3363-00	COLLAR 1	2	2	2	
27	X0N-F3364-00	COLLAR 2	2	2	2	
28	X1M-F389C-00	LABEL, CAUTION	1	1	1	
29	X1M-F143A-10	CAP	2	2	2	
30	X1M-F1399-00	CAP	1	1	1	L.H.
31	X1M-F1399-10	CAP	1	1	1	R.H.
32	X1M-F1532-00	BOLT 2	2	2	2	
33	X1M-F781A-10	CRANK SET	1	1		
	X1M-F781A-20	CRANK SET			1	
34	X1M-F785A-00	PEDAL SET	1	1	1	

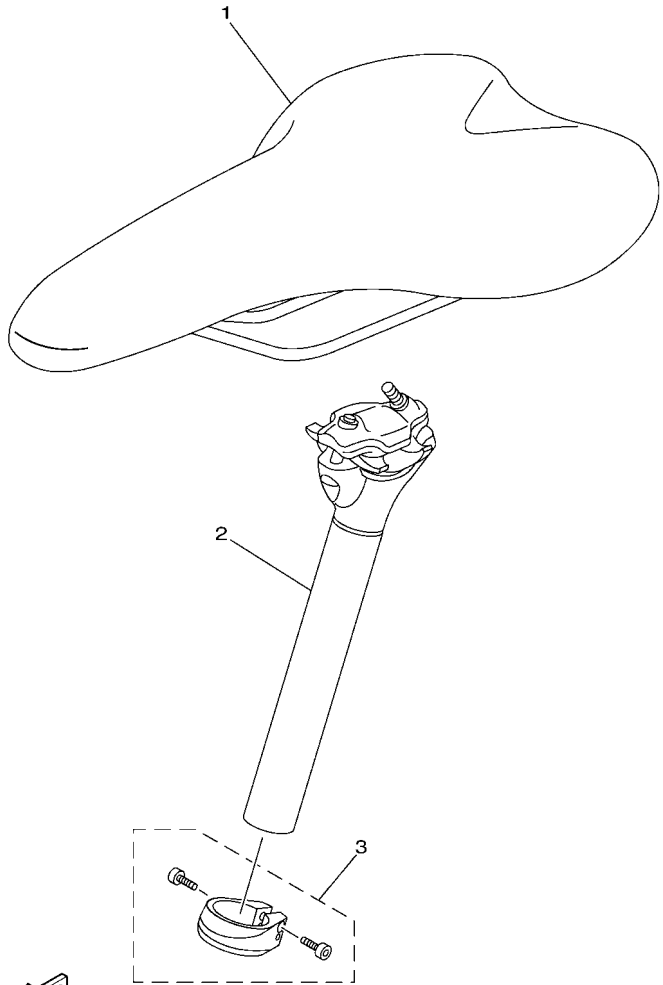
FIG. 3 SIDE COVER




X1MD110-U030

REF. NO.	PART NO.	DESCRIPTION	X1MD	X1ME	X1MF	REMARKS
1	X94-82154-00	CASE	1	1	1	
2	X94-82164-00	CASE 2	1	1	1	
3	X94-21543-10	PLATE 1	1	1	1	
4	X94-2113B-10	DAMPER	4	4	4	
5	90111-05047	BOLT,HEX. SOCKET BUTTON	2	2	2	
6	90387-06303	COLLAR	2	2	2	
7	X94-87234-30	PLUG, D.C.RECEPTACLE	1	1	1	3P, L=200mm

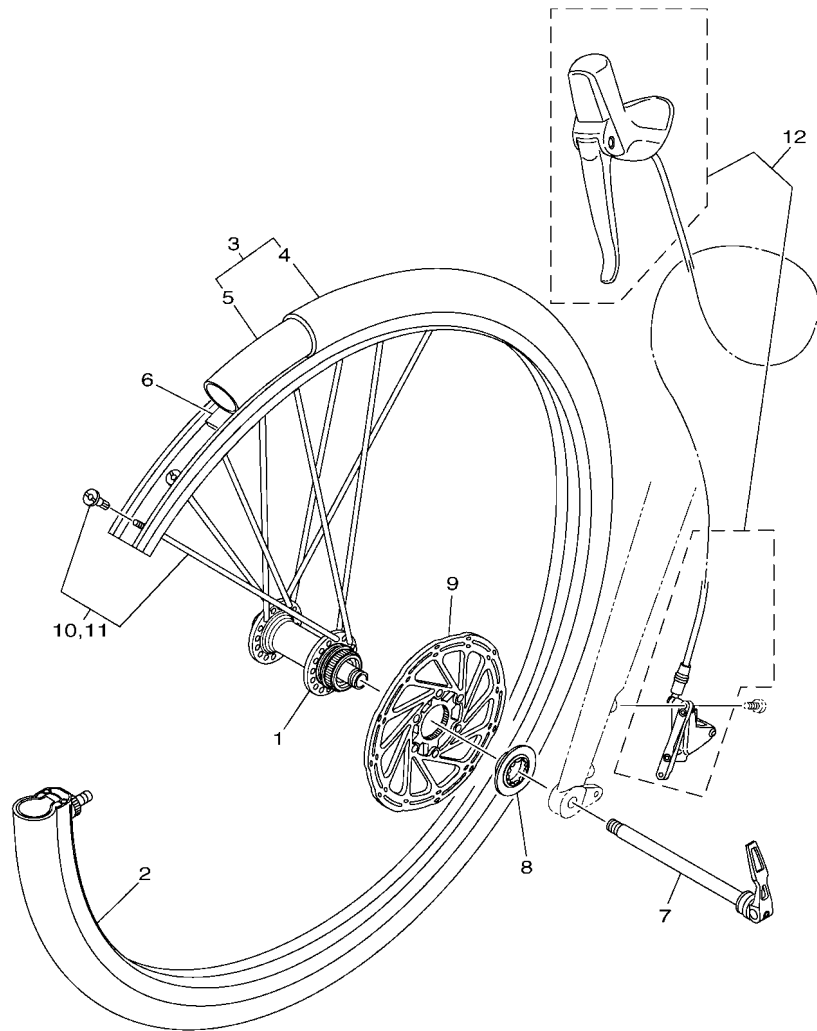
FIG. 4 SEAT & CARRIER



X1MD110-U040

REF. NO.	PART NO.	DESCRIPTION	X1MD	X1ME	X1MF	REMARKS
1	X0N-F4910-60	SADDLE ASSY	1	1	1	
2	X0N-F4921-41	PILLAR, SEAT	1			
	X0N-F4921-51	PILLAR, SEAT		1		
	X0N-F4921-61	PILLAR, SEAT			1	
3	X0N-F4720-10	SEAT BAND ASSY	1	1	1	

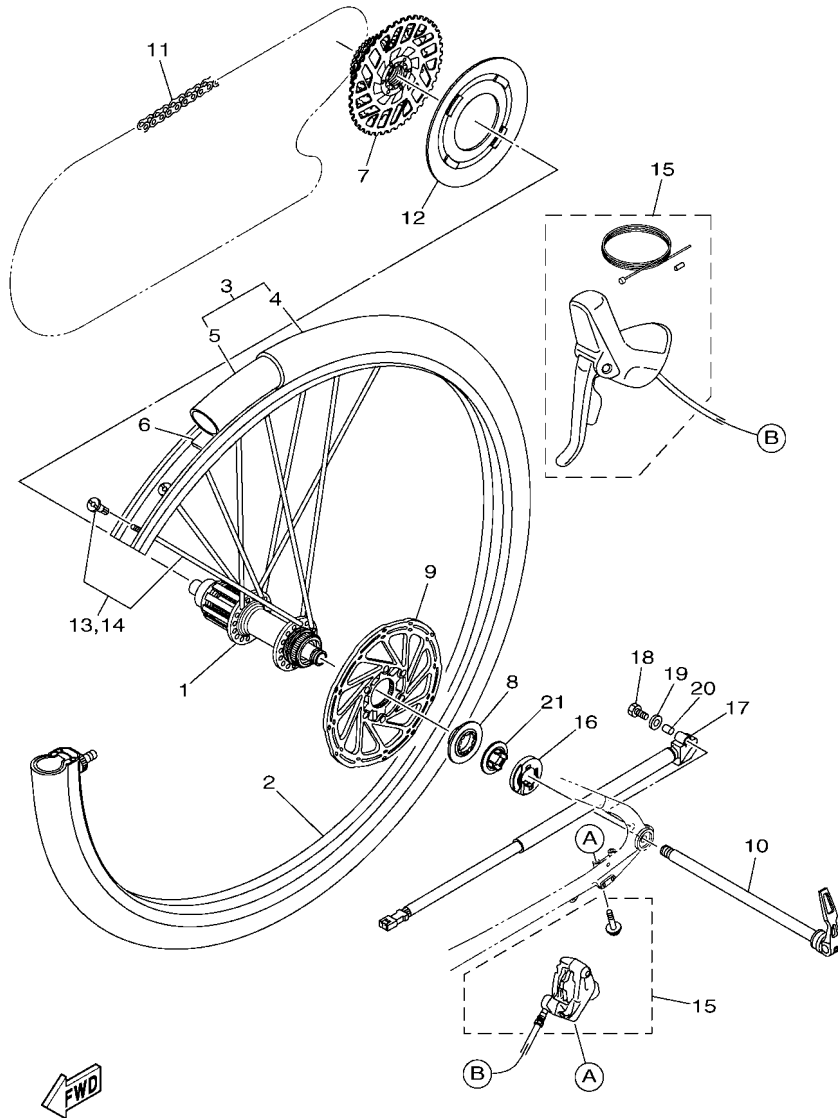
FIG. 5 FRONT WHEEL




X1MD110-U050

The number used per Front Wheel 32 pcs.

REF. NO.	PART NO.	DESCRIPTION	X1MD	X1ME	X1MF	REMARKS
1	X1M-F5110-10	HUB ASSY, FRONT	1	1	1	
2	X1M-F5144-50	RIM	1	1	1	
3	X1M-F510M-30	TIRE SET	1	1	1	
4	X1M-F510S-30	.TIRE	1	1	1	
5	X1M-F510T-30	.TUBE	1	1	1	
6	X0N-F510U-10	BAND, RIM	1	1	1	
7	X1M-F513B-00	THROUGH AXLE BOLT ASSY FR	1	1	1	
8	X1M-F6294-10	NUT 1	1	1	1	
9	X1M-F5711-30	DISC, BRAKE	1	1	1	
10	X1M-F5106-20	SPOKE SET, FRONT 1	1	1	1	Sprke16,Nipple16
11	X1M-F5107-20	SPOKE SET, FRONT 2	1	1	1	Sprke16,Nipple16
12	X1M-F6170-20	CONTROL LEVER ASSY 1	1	1	1	

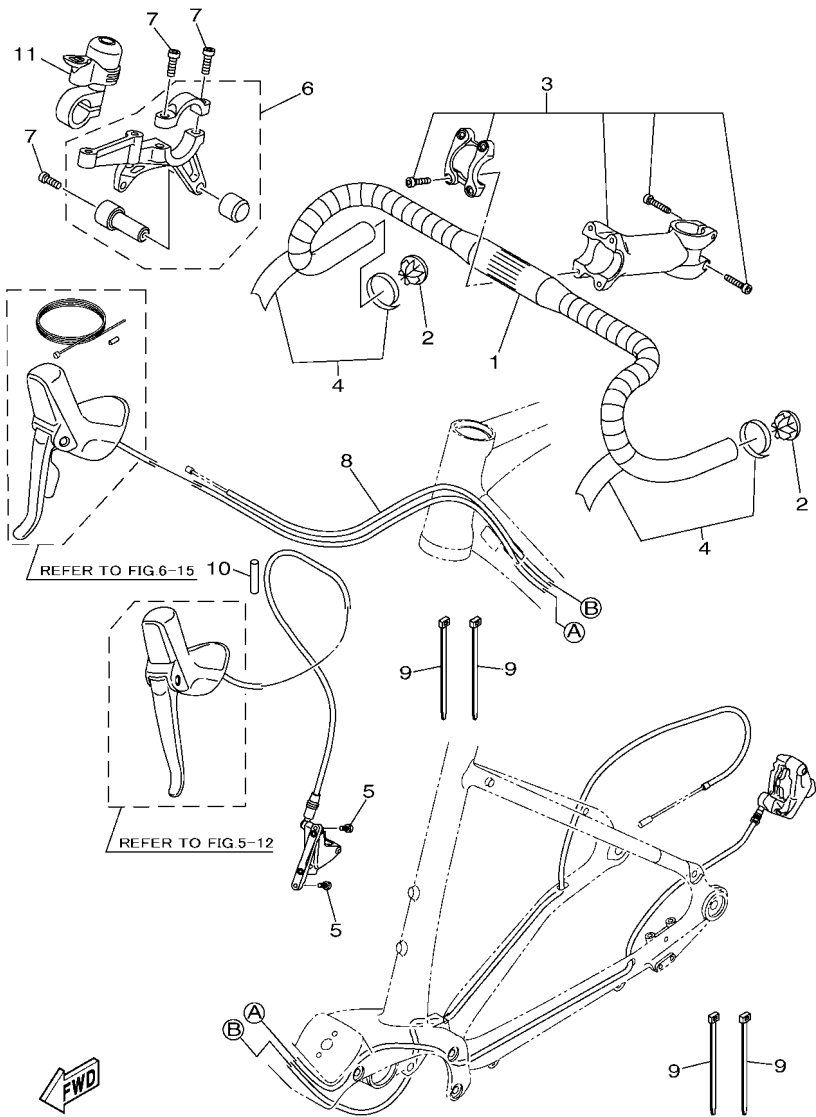


X1MD110-U060

The number used per Rear Wheel 32 pcs.

FIG. 6 REAR WHEEL

REF. NO.	PART NO.	DESCRIPTION	X1MD	X1ME	X1MF	REMARKS
1	X1M-F5310-10	HUB ASSY	1	1	1	
2	X1M-F5144-50	RIM	1	1	1	
3	X1M-F510M-30	TIRE SET	1	1	1	
4	X1M-F510S-30	.TIRE	1	1	1	
5	X1M-F510T-30	.TUBE	1	1	1	
6	X0N-F510U-10	BAND, RIM	1	1	1	
7	X1M-F5410-20	RR. WHEEL SPROCKET COMP.	1	1	1	
8	X1M-F6294-10	NUT 1	1	1	1	
9	X1M-F5711-30	DISC, BRAKE	1	1	1	
10	X1M-F533B-10	THROUGH AXLE BOLT ASSY.,RR.	1	1	1	
11	X1M-F53C0-40	CHAIN	1	1	1	
12	X1M-F531C-20	PROTECTOR, SPOKE	1	1	1	
13	X1M-F5305-20	SPOKE SET, REAR 1	1	1	1	Sprke16,Nipple16
14	X1M-F5306-20	SPOKE SET, REAR 2	1	1	1	Sprke16,Nipple16
15	X1M-F6180-10	CONTROL LEVER ASSY 2	1	1	1	
16	X1M-8352Y-00	MAGNET COMP.	1	1	1	
17	X1M-81670-00	PICK-UP ASSY	1	1	1	
18	91317-03012	BOLT,HEX.SOCKET HEAD	1	1	1	
19	92907-03200	WASHER	1	1	1	
20	X0N-83522-00	COLLAR	1	1	1	
21	X1M-85557-00	HOLDER	1	1	1	

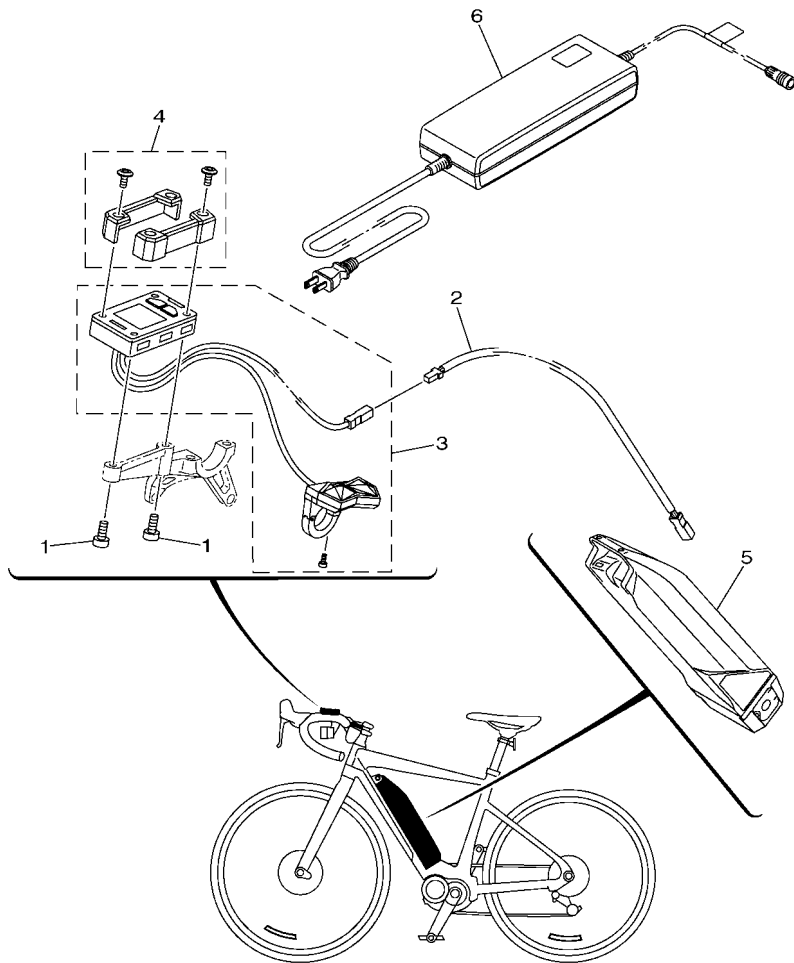


X1MD110-U070

FIG. 7 STEERING HANDLE & CABLE

REF. NO.	PART NO.	DESCRIPTION	X1MD	X1ME	X1MF	REMARKS
1	X1M-F6112-50	BAR, HANDLE	1	1		
	X1M-F6112-60	BAR, HANDLE			1	
2	X1M-F6216-00	CAP, HANDLEBAR COVER	2	2	2	
3	X1M-F6126-30	STEM, HANDLE	1	1	1	
4	X0N-F6117-20	TAPE, BAR	1	1	1	
5	X1M-F7217-00	BOLT	2	2	2	
6	X1M-F4881-00	BRKT., METER	1	1	1	
7	X1M-F6332-00	BOLT	3	3	3	
8	X1M-F632K-A0	WIRE, OUTER 1	1	1	1	
9	X1M-F1999-00	CLAMP, WIRE HARNESS	4	4	4	
10	X1M-F5881-00	PROTECTOR, BRAKE HOSE	1	1	1	
11	X0N-H3382-20	BELL	1	1	1	

FIG. 8 ELECTRICAL 1




X1MD110-U080

REF. NO.	PART NO.	DESCRIPTION	X1MD	X1ME	X1MF		REMARKS
1	X1M-F4453-20	SCREW	2	2	2		
2	X1M-81515-00	LEAD WIRE ASSY	1	1	1		
3	X1M-83500-10	METER ASSY	1	1	1		
4	X1M-87278-00	COVER, METER	1	1	1		
5	X1M-82110-10	BATTERY ASSY	1	1	1		
6	X1M-8210C-00	BATTERY CHARGER ASSY	1	1	1		

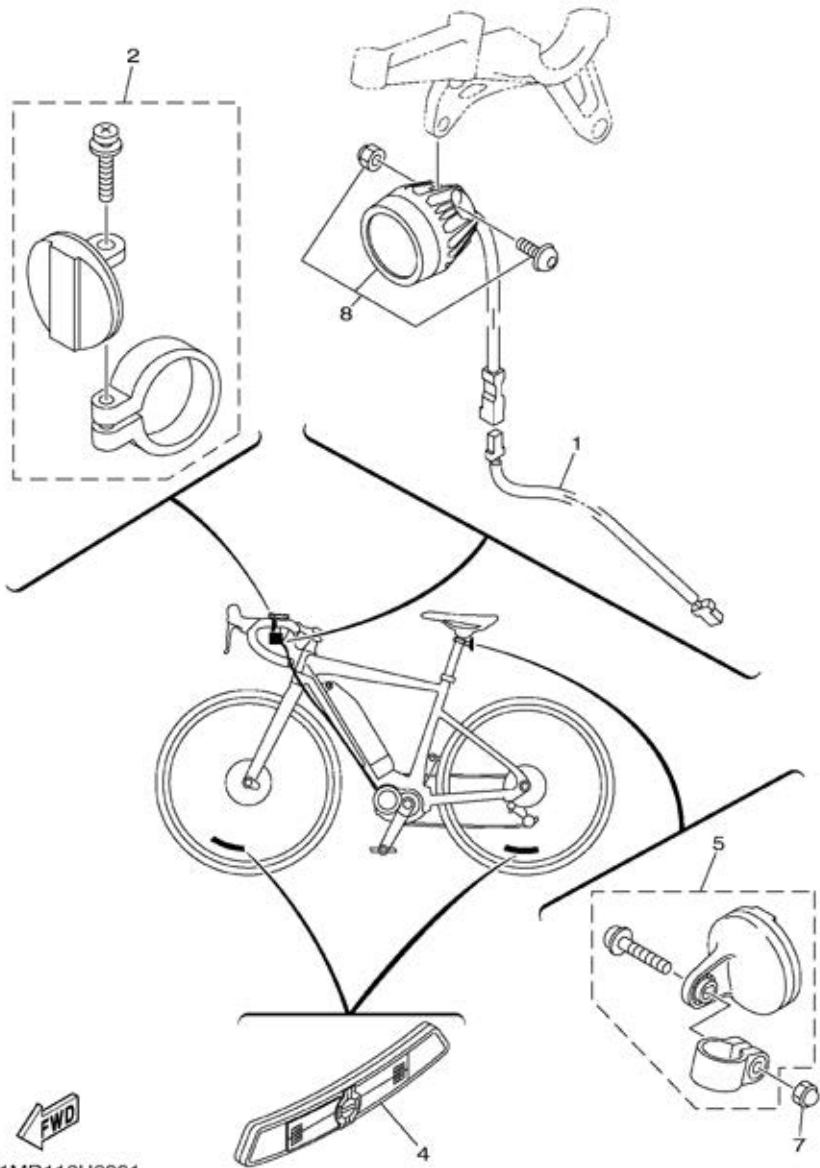


FIG. 9 ELECTRICAL 2

REF. NO.	PART NO.	DESCRIPTION	X1MD	X1ME	X1MF	REMARKS
1	X1M-86178-00	WIRE, LEAD 8	1	1	1	
2	X0N-H5120-00	FRONT REFLECTOR ASSY 2	1	1	1	
4	X0N-H4323-00	REFLECTOR	2	2	2	
5	X0N-H5140-10	REAR REFLECTOR ASSY	1	1	1	
7	X0U-F4681-00	NUT, CAP	1	1	1	
8	X1M-H4100-00	HEADLIGHT ASSY	1	1	1	

NUMERICAL INDEX

PART NO.	REF. NO.	PART NO.	REF. NO.	PART NO.	REF. NO.	PART NO.	REF. NO.	PART NO.	REF. NO.	PART NO.	REF. NO.
X94-13327-00	1 - 13	X0N-F1339-00	2 - 22	X1M-F531C-20	6 - 12						
X94-15490-40	1 - 6	X1M-F1339-00	2 - 9	X1M-F533B-10	6 - 10						
X94-16180-10	1 - 9	X1M-F1399-00	2 - 30	X1M-F535B-20	2 - 3						
X94-16570-03	1 - 10	X1M-F1399-10	2 - 31	X1M-F53C0-40	6 - 11						
X1M-17061-D0	1 - 1	X1M-F143A-10	2 - 29	X1M-F5410-20	6 - 7						
X0S-17062-02	1 - 8	X1M-F1531-00	2 - 2	X1M-F5711-30	5 - 9						
X0S-17421-10	1 - 7	X1M-F1532-00	2 - 32		6 - 9						
X94-17463-10	1 - 26	X1M-F1719-30	2 - 16	X1M-F5881-00	7 - 10						
X94-17510-00	1 - 5	X1M-F1738-00	2 - 14	X1M-F6112-50	7 - 1						
X94-17524-00	1 - 21	X0N-F1999-00	2 - 17	X1M-F6112-60	7 - 1						
X0S-17840-00	1 - 12	X1M-F1999-00	7 - 9	X0N-F6117-20	7 - 4						
X94-2113B-10	3 - 4	X0N-F2125-10	2 - 7	X1M-F6126-30	7 - 3						
X94-21543-10	3 - 3	X1M-F2298-00	2 - 20	X1M-F6170-20	5 - 12						
X1M-81515-00	8 - 2	X1M-F256L-00	2 - 11	X1M-F6180-10	6 - 15						
X1M-81670-00	6 - 17	X0N-F287K-10	2 - 25	X1M-F6216-00	7 - 2						
X94-81890-02	1 - 2	X0N-F3363-00	2 - 26	X1M-F6294-10	5 - 8						
X1M-8210C-00	8 - 6	X0N-F3364-00	2 - 27		6 - 8						
X1M-82110-10	8 - 5	X0N-F3393-00	2 - 8	X1M-F632K-A0	7 - 8						
X94-82154-00	3 - 1	X0N-F341A-00	2 - 24	X1M-F6332-00	7 - 7						
X94-82164-00	3 - 2	X1M-F3780-90-0X	2 - 21	X1M-F7217-00	7 - 5						
X1M-83500-10	8 - 3	X1M-F3780-A0-0X	2 - 21	X1M-F781A-10	2 - 33						
X0N-83522-00	6 - 20	X1M-F3780-B0-0X	2 - 21	X1M-F781A-20	2 - 33						
X1M-8352Y-00	6 - 16	X1M-F389C-00	2 - 28	X1M-F785A-00	2 - 34						
X1M-85557-00	6 - 21	X1M-F4453-20	8 - 1	X1M-H256A-00	2 - 13						
X0S-86171-00	1 - 16	X0U-F4681-00	9 - 7	X0N-H3382-20	7 - 11						
X1M-86172-41	1 - 17	X0N-F4720-10	4 - 3	X0N-H3836-00	9 - 6						
X94-86173-00	1 - 18	X1M-F4881-00	7 - 6	X0N-H3836-10	9 - 3						
X94-86174-00	1 - 19	X0N-F4910-60	4 - 1	X1M-H4100-00	9 - 8						
X94-86175-00	1 - 20	X0N-F4921-41	4 - 2	X1M-H4306-00	2 - 19						
X1M-86178-00	9 - 1	X0N-F4921-51	4 - 2	X0N-H4323-00	9 - 4						
X1M-86212-D0	1 - 23	X0N-F4921-61	4 - 2	X0N-H5110-00	9 - 2						
X94-87153-01	1 - 3	X1M-F5106-20	5 - 10	X0N-H5130-00	9 - 5						
X94-87234-30	3 - 7	X1M-F5107-20	5 - 11	90105-05029	1 - 15						
X1M-87278-00	8 - 4	X1M-F510M-30	5 - 3	90111-05047	3 - 5						
X94-8A8B0-10	1 - 24		6 - 3	90164-03009	1 - 22						
X94-8A8B1-10	1 - 25	X1M-F510S-30	5 - 4	90201-083J8	1 - 14						
X1M-E7452-10	1 - 27		6 - 4	90387-06303	3 - 6						
X1M-F1110-90-0X	2 - 1	X1M-F510T-30	5 - 5	91317-03012	6 - 18						
X1M-F1110-A0-0X	2 - 1		6 - 5	92017-05020	1 - 4						
X1M-F1110-B0-0X	2 - 1	X0N-F510U-10	5 - 6	92907-03200	6 - 19						
X1M-F112K-00	2 - 5		6 - 6	93106-17001	1 - 11						
X1M-F114D-10	2 - 4	X1M-F5110-10	5 - 1								
X1M-F11A5-00	2 - 18	X1M-F513B-00	5 - 7								
X1M-F11C6-00	2 - 6	X1M-F5144-50	5 - 2								
X1M-F11C7-00	2 - 12		6 - 2								
X1M-F11C8-00	2 - 15	X1M-F5305-20	6 - 13								
X1M-F11D3-00	2 - 10	X1M-F5306-20	6 - 14								
	2 - 23	X1M-F5310-10	6 - 1								